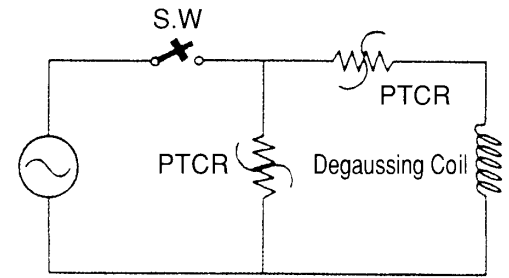


## For DEGAUSSING

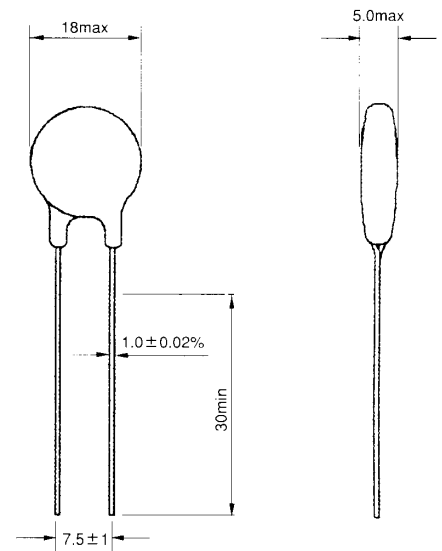
Part No.	Curie Point	R <sub>25</sub> ± % (Ω)	V rated	Inrush Current	I <sub>re</sub> .after 60 Sec
D0603M120	60°C	3 ± 20%	AC 110V	40 A p-p	40 mA p-p
D0605M120	60°C	5 ± 20%	AC 110V	35 A p-p	40 mA p-p
D0608M120	60°C	8 ± 20%	AC 110V	30 A p-p	40 mA p-p
D0609M120	60°C	9 ± 20%	AC 110V	40 A p-p	40 mA p-p
D0610M120	60°C	10 ± 20%	AC 110V	40 A p-p	40 mA p-p
D0612M240	60°C	12 ± 20%	AC 220V	40 A p-p	50 mA p-p
D0615M240	60°C	15 ± 20%	AC 220V	35 A p-p	50 mA p-p
D0620M240	60°C	20 ± 20%	AC 220V	20 A p-p	40 mA p-p
D0627M240	60°C	27 ± 20%	AC 220V	18 A p-p	30 mA p-p
D0633M240	60°C	33 ± 20%	AC 220V	15 A p-p	30 mA p-p

Part No.	Curie Point	R <sub>25</sub> ± % (Ω)	V rated	Inrush Current	I <sub>re</sub> .after 60 Sec	Degaussing Coil Res.(Ω)
DA03M140	60°C	3 ± 20%	AC 110V	35 A p-p	50 mA p-p	4
DA05M140	60°C	5 ± 20%	AC 110V	30 A p-p	50 mA p-p	4
DA08M140	60°C	8 ± 20%	AC 110V	16 A p-p	40 mA p-p	6
DA09M140	60°C	9 ± 20%	AC 110V	30 A p-p	35 mA p-p	8
DA14M270	60°C	14 ± 20%	AC 220V	25 A p-p	35 mA p-p	10
DA18M270	60°C	18 ± 20%	AC 220V	20 A p-p	25 mA p-p	8

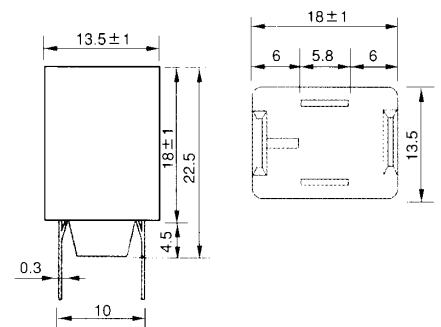
Part No.	Curie Point	R <sub>25</sub> ± % (Ω)	V rated	Inrush Current	I <sub>re</sub> .after 60 Sec	Degaussing Coil Res.(Ω)
DC03M140	60°C	3 ± 20%	AC 110V	30 A p-p	30 mA p-p	4
DC05M140	60°C	5 ± 20%	AC 110V	30 A p-p	30 mA p-p	4
DC08M140	60°C	8 ± 20%	AC 110V	25 A p-p	30 mA p-p	6
DC09M140	60°C	9 ± 20%	AC 110V	25 A p-p	30 mA p-p	6
DC12M270	60°C	12 ± 20%	AC 220V	27 A p-p	25 mA p-p	10
DC14M270	60°C	14 ± 20%	AC 220V	25 A p-p	25 mA p-p	10
DC18M270	60°C	18 ± 20%	AC 220V	20 A p-p	20 mA p-p	13
DC20M270	60°C	20 ± 20%	AC 220V	18 A p-p	10 mA p-p	12
DC25M270	60°C	25 ± 20%	AC 220V	17 A p-p	10 mA p-p	15
DC27M270	60°C	27 ± 20%	AC 220V	15 A p-p	10 mA p-p	13
DC30M270	60°C	30 ± 20%	AC 220V	9 A p-p	5 mA p-p	18
DC36M270	60°C	36 ± 20%	AC 220V	9 A p-p	5 mA p-p	18



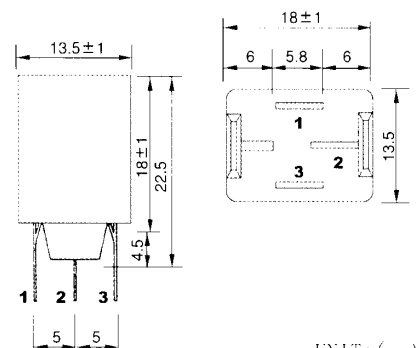
**D06 Series** UNIT: (mm)



**DA Series** UNIT: (mm)



**DC Series** UNIT: (mm)



UNIT: (mm)