

## GPS & 3G MIMO Combo External Antennas

Product Number: ATG3G7214-2.0BM

### 1. Picture



## 2. Electrical Characteristics

<b>2.1 GPS Antenna</b>		
1	Antenna model	2540A ( 25mm*25mm*4mm )
2	Frequency Range	1575.42MHz±1.02 MHz
3	V.S.W.R	< 2.0
4	Band With@10dB	> 10MHz
5	Gain	5.0 dB typ @70mm*70mm groundplane
6	Impedence	50Ω
7	Polarization	RHCP
<b>LNA</b>		
1	Frequency Range	1575.42MHz±1.02 MHz
2	DC Voltage	2.2~5.0V
3	DC current	11±2mA(@3.0V)
4	Gain	28±3 dB(without cable @25°C±10°C)
5	Output VSWR	2.0 MAX
6	Noise Figure	2.1 MAX
<b>2.2 GSM &amp; 3G Antenna</b>		
1	Frequency Range	824~960MHz/1710~2170MHz
2	V.S.W.R	< 2.0
3	Gain	2.0 dB
4	Impedence	50Ω
5	Polarization	LINEAR

### 3. Material

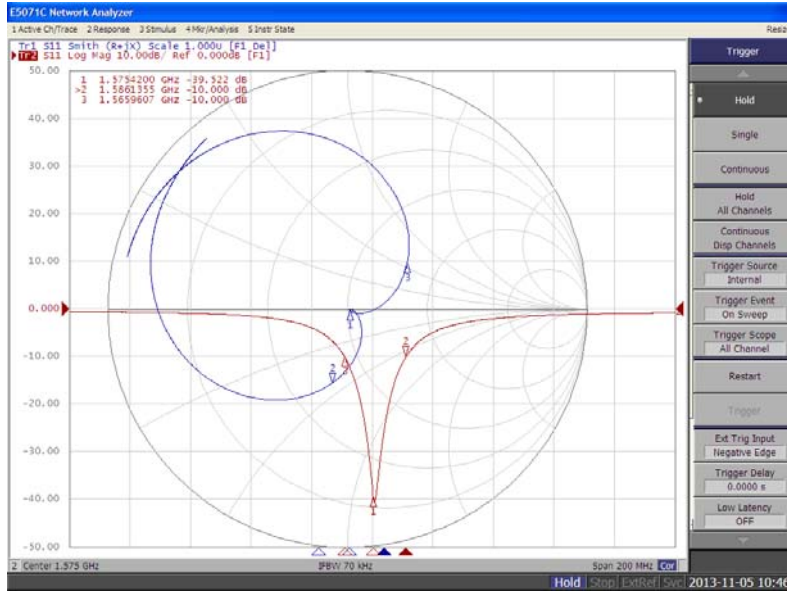
No	Part Name	SPEC
1	GPS Antenna	Dielectric Ceramics
2	Shielding	Tinplate
3	PCB	FR4
4	GSM & 3G Antenna	FR4
5	Sheathing	ABS (black)
		φ72×14.3mm
6	RF Cable	RG174
		L=3M OR Others
7	RF Connector	SMA-MALE OR Others

### 4. Environment Condition

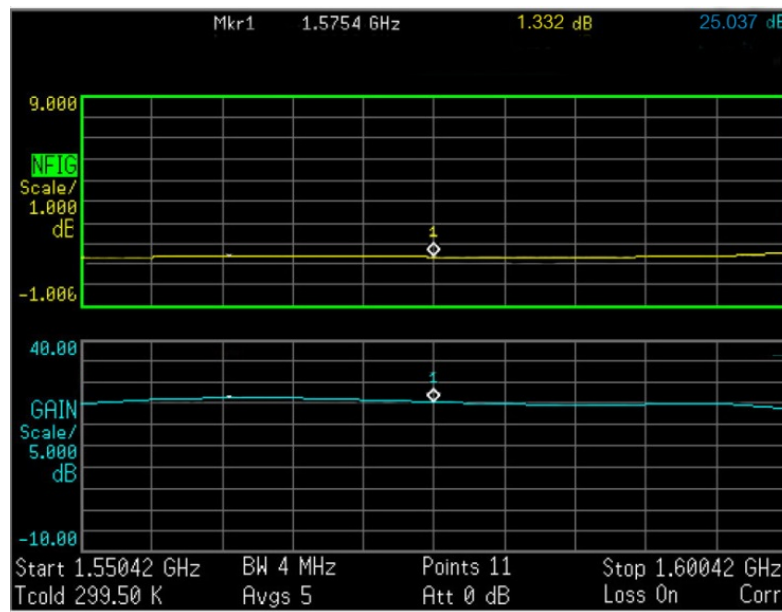
1	Working Temp	-40℃ ~ +85℃, 10% ~ 95% RH
2	Storage Temp	-55℃ ~ +100℃, 10% ~ 95% RH
3	Vibration	Sine sweep @1.5mmAM 10~55Hz each Axis
4	Waterproof	IP66

## 5. Testing Curve

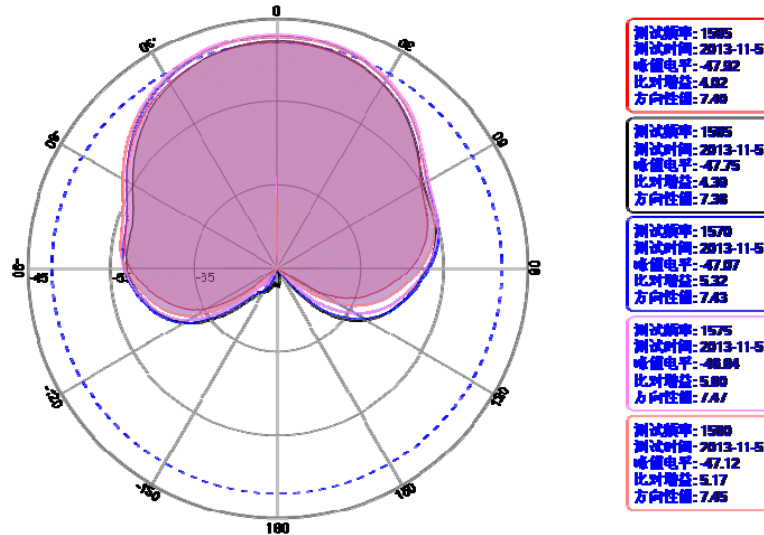
### 5.1 GPS Antenna Characteristic curve



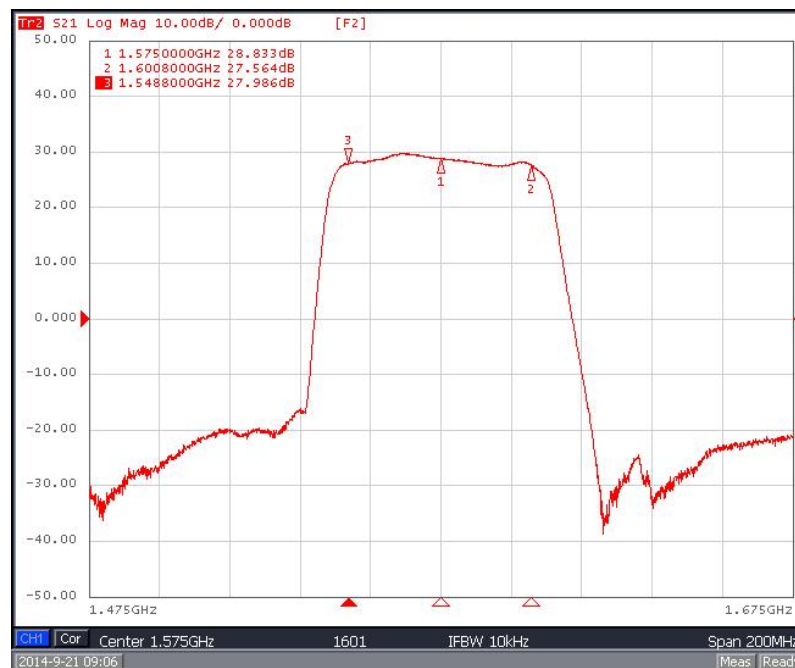
### 5.2 GPS Antenna Noise Figure



## 5.3 GPS Antenna Directional diagram



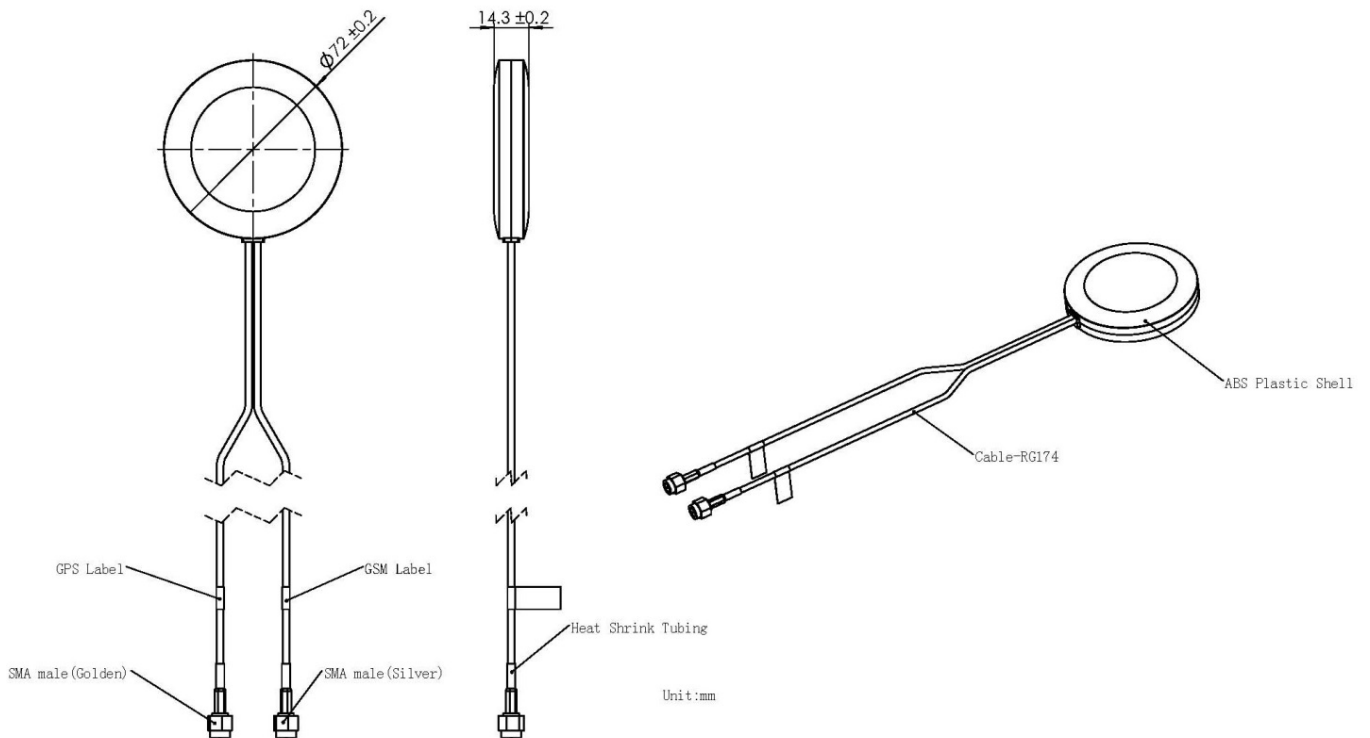
## 5.4 LNA Gain



## 5.5 GSM & 3G Antenna Characteristic curve



## 6. Structure



## 7. Note

**7.1 This product specification guarantees the quality of our product as a single unit.**

**Please make sure that your product is evaluated and confirmed against your specifications when our product is mounted to your product.**

**7.2 The product will get free warranty for one year since the date of purchase as well as users operate in the correct way; users will have to pay cost of the materials and maintaining fee out of the condition.**

**7.3 Electrostatic sensitive device. Observe precautions for handling.**