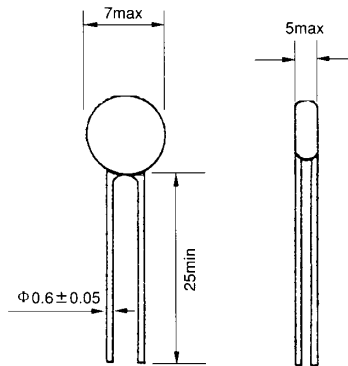
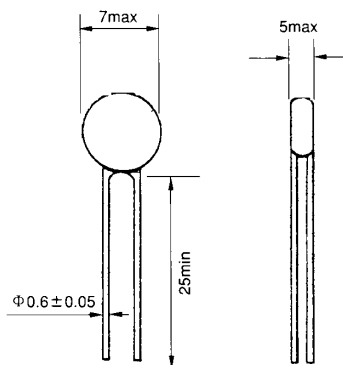


● TEMPERATURE COMPENSATION



Part No.	Resistance at 25°C R ₂₅ (Ω)	Resistance Tolerance (%)	Dissipation Constant (δ)	Thermal Time Constant (s)(max)	Thermal Dissipation Constant (mW/°C)(min)
MZ11-1	56~560	±10%, ±20%	1~4	50	10
MZ11-2	560~5600	±10%, ±20%	2~6	50	10
MZ11-3	5600~100000	±10%, ±20%	3~8	50	10

● SWITCHING THERMISTOR



Part No.	Control Temp Point (T _s)	Resistance(Ω) T _s ±				Response Time (s)(max)	Thermal Dissipation Constant (mW/°C)(max)
		T _s -20°C (max)	T _s -5°C (max)	T _s +5°C (max)	T _s +15°C (min)		
MZ61-1	T ₅₀ ~T ₈₀	550	1200	2800	8500	5	10
MZ61-2	T ₅₀ ~T ₈₀	250	550	1300	4000	5	10
MZ61-3	T ₁₂₅ ~T ₁₅₀	250	550	1300	4000	5	10