

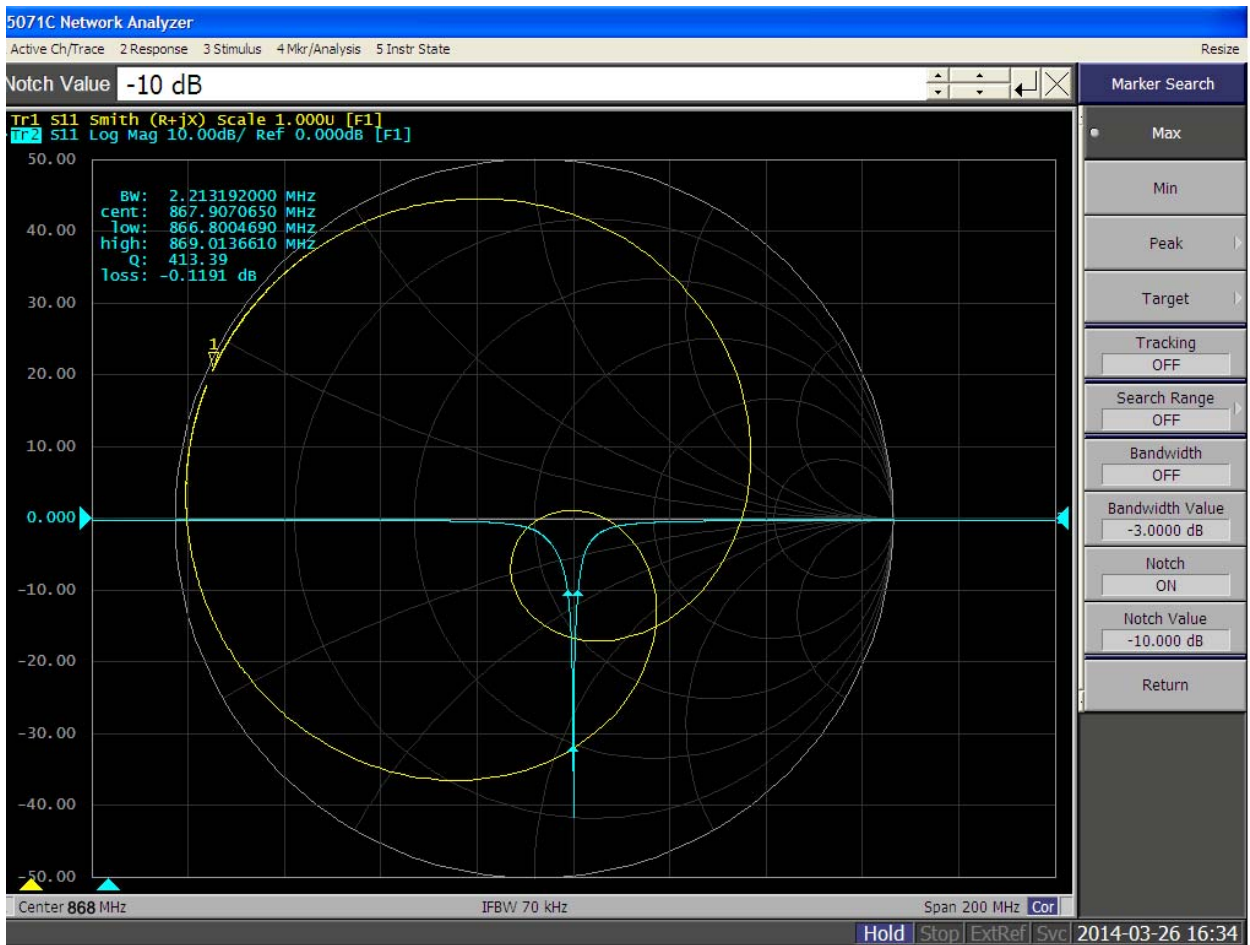
ISM Internal Antennas

Product Number: ATI868M-2540-25

1. Overall Performance

CHARACTERISTICS	SPEC
Center Frequency	868±1 MHz
Patch Dimension	25mm(L)×25mm(W)×4mm(H) typ
Gain	2dBi without cable
Bandwidth(10dB return loss)	2MHz typ
Output VSWR	≤ 2.0
Output Impedance	50ohm
Polarization	R.H.C.P
Dimensions	25mm(L)×25mm(W)×5mm(H) typ
Weight	8±2g(typ)
Cable	25±1mm (Φ=1.13mm)
Connector	IPEX

2. Smith & VSWR



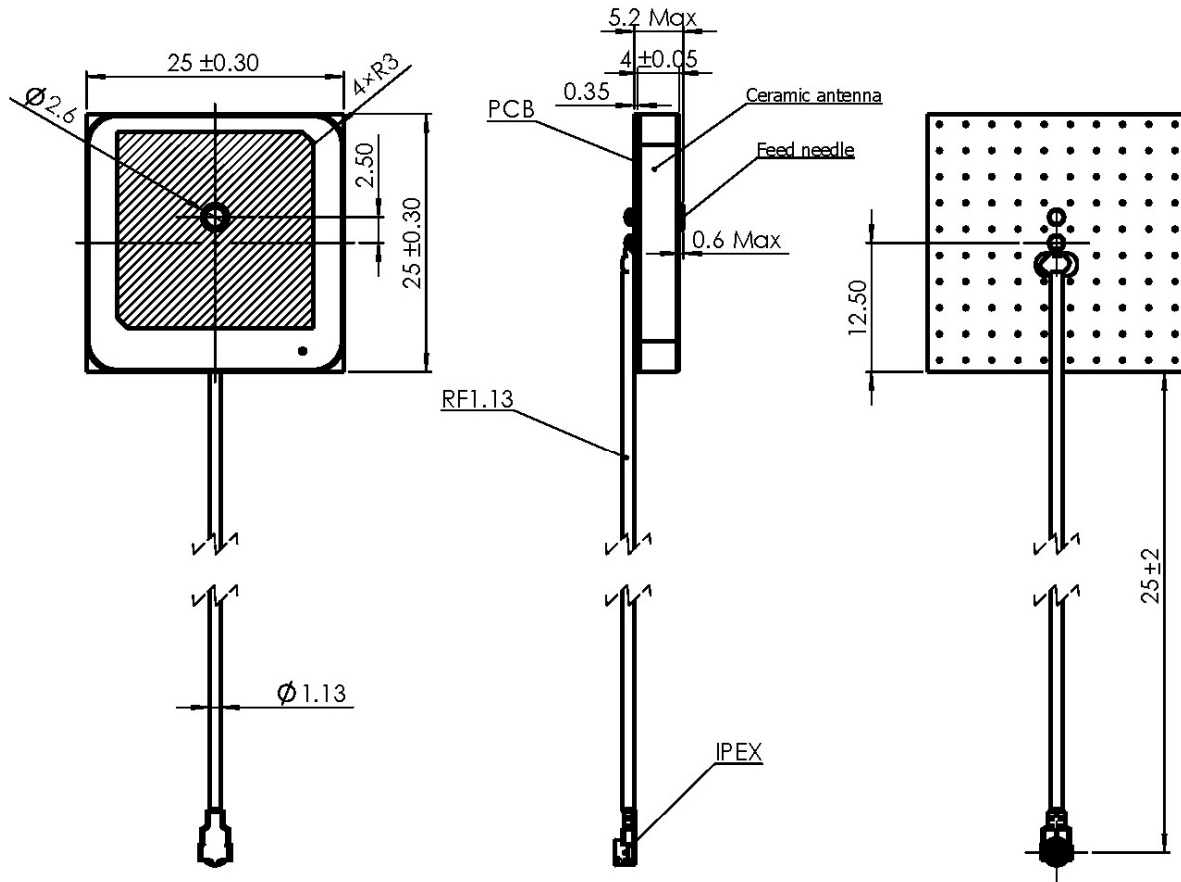
3. Working Conditions

Operating Temperature	-40°C to + 85°C
Humidity	10% to 95% RH

4. Storage Conditions

Storage Temperature	-40°C to + 85°C
Humidity	10% to 95% RH

5. Dimension



6. Note

6.1 、 This product specification guarantees the quality of our product as a single unit. Please make sure that your product is evaluated and confirmed against your specifications when our product is mounted to your product.

6.2 、 We cannot warrant against failure caused by any use of our product that deviates from the intended use as described in this product specification.

6.3 、 The product will get free warranty for three months since the date of purchase users operate in the correct way; users will have to pay cost of the materials and maintaining fee out of the condition.

6.4 、 Electrostatic sensitive device. Observe precautions for handling.