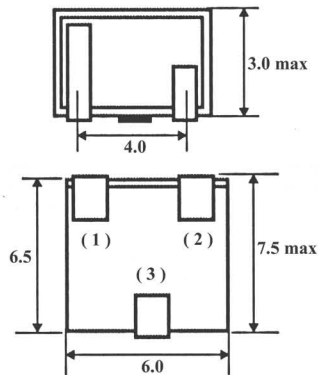


LTC - SMD Series of Ceramic Filter for Communication 455KHz

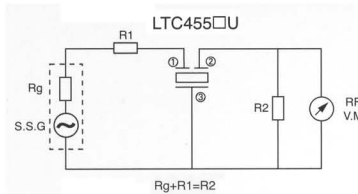
● TECHNICAL CHARACTERISTICS

Part Number	Center Frequency (Center of 6dB B.W) (KHz)	6dB Band Width (KHz) min	40dB Band Width (KHz) max	Stop Band Attenuation (of ± 100 KHz) (dB) min	Insertion Loss (dB) max	Ripple (dB) max	In/Output Impedance (Ω)
LTC455BU	455 ± 1.5	± 15	± 30	27	4	(± 9 KHz)2.0	1000
LTC455CU	455 ± 1.5	± 12.5	± 25	27	4	(± 8 KHz)2.0	1000
LTC455DU	455 ± 1.5	± 10	± 20	27	4	(± 7 KHz)2.0	1500
LTC455EU	455 ± 1.5	± 7.5	± 15	27	6	(± 5 KHz)2.0	1500
LTC455FU	455 ± 1.5	± 6	± 12.5	27	6	(± 4 KHz)2.0	1500
LTC455GU	455 ± 1.5	± 4.5	± 10	25	6	(± 3 KHz)2.0	1500
LTC455HU	455 ± 1.5	± 3	± 9	25	6	(± 2 KHz)2.0	1500

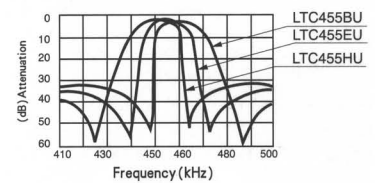
● DIMENSIONS(mm)



● TEST CIRCUIT



● CHARACTERISTICS

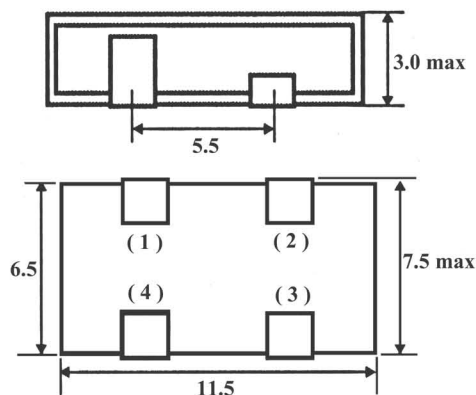
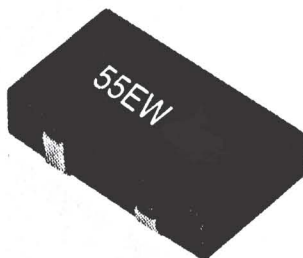


LTWC - SMD Series of Ceramic Filter for Communication 455KHz

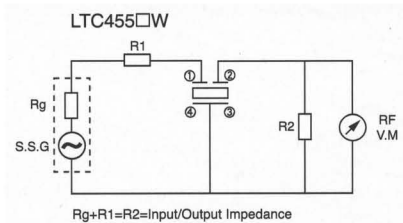
● TECHNICAL CHARACTERISTICS

Part Number	Center Frequency (Center of 6dB B.W) (KHz)	3dB Band Width (KHz) min	6dB Band Width (KHz) min	50dB Band Width (KHz) max	Stop Band Attenuation (of ± 100 KHz) (dB) min	Insertion Loss (dB) max	Ripple (dB) max	Spurious Response Within 0.1-1.0MHz (dB)	GDT Ripple deviation (μ sec) max	In/Output Impedance (Ω)
LTWC455B	455 ± 1.5	± 10	± 15	± 30	50	4.0	(± 10 KHz)2.0	20	(± 10 KHz)50	1500
LTWC455C	455 ± 1.5	± 8	± 12.5	± 25	50	4.0	(± 8 KHz)2.0	20	(± 8 KHz)50	1500
LTWC455D	455 ± 1.5	± 7	± 10	± 20	50	4.0	(± 7 KHz)2.0	20	(± 7 KHz)50	1500
LTWC455E	455 ± 1.5	± 5.5	± 7.5	± 15	50	4.0	(± 5 KHz)2.0	20	(± 5 KHz)50	1500
LTWC455F	455 ± 1.5	± 4	± 6	± 12	47	6.0	(± 4 KHz)2.0	20	(± 4 KHz)50	1500
LTWC455G	455 ± 1.5	± 3	± 4.5	± 10	47	6.0	(± 3 KHz)2.0	20	(± 3 KHz)50	1500
LTWC455H	455 ± 1.5	± 2	± 3	± 9	47	6.0	(± 2 KHz)2.0	20	(± 2 KHz)50	1500

● DIMENSIONS(mm)



● TEST CIRCUIT



● CHARACTERISTICS

