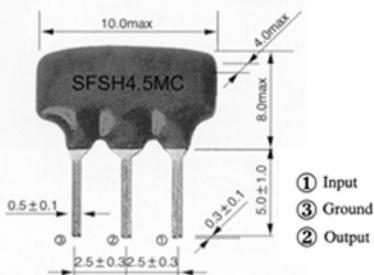


SFSH Series of Ceramic Filter for TV/VCR

4.5/5.5/6.0/6.5MHz



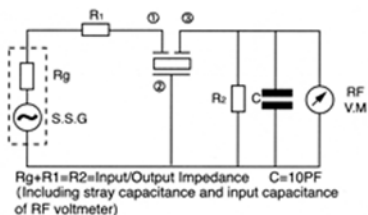
TECHNICAL CHARACTERISTICS

| Part Number | 3dB Band Width (KHz) | 20dB Band Width (KHz) | Insertion Loss (dB) (max) | Spurious Response (dB) (min) | Input / Output Impedance(Ω) |
|-------------|----------------------|-----------------------|---------------------------|------------------------------|-----------------------------|
| SFSH4.5MCB | ±60(±110) | 600(470) | 6.0 | 30 | 1000 |
| SFSH5.5MCB | ±60(±115) | 600(500) | 6.0 | 30 | 600 |
| SFSH6.0MCB | ±60(±115) | 600(500) | 6.0 | 30 | 470 |
| SFSH6.5MCB | ±70(±115) | 600(530) | 6.0 | 30 | 470 |

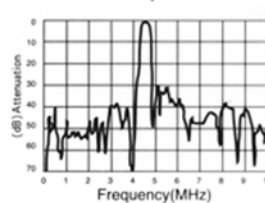
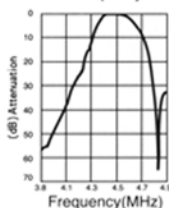
() : Typical Value

CHARACTERISTICS

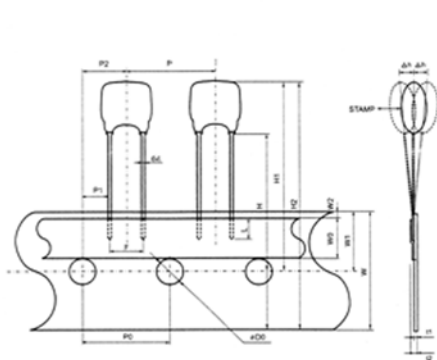
TEST CIRCUIT



SFSH4.5MCB Frequency Characteristics SFSH4.5MCB Spurious Attenuation

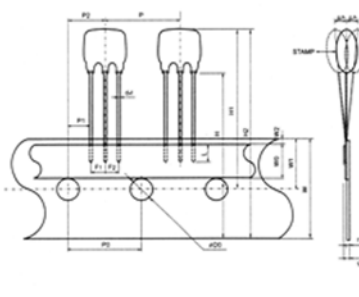


Taping Specification of Ceramic Resonator & Filter



| Mark | Size(mm) |
|------|-------------|
| P | 12.7±0.5 |
| P0 | 12.7±0.2 |
| P1 | 3.85±0.5 |
| P2 | 6.35±1.3* |
| F | 5.0±0.2 |
| dxt | 0.5×0.3±0.1 |
| W | 18±0.5 |
| W0 | 5.5±0.5 |
| W1 | 9.0±0.5 |
| W2 | 1.0max |
| H | 18.0±0.2 |
| H1 | 27.0max** |
| H2 | 36.0max** |
| L | 3.0min |
| ΦD0 | 4.0±0.2 |
| t1 | 0.6±0.2 |
| t2 | 1.5max |
| Δh | 1.0max |

* Include the slant of products
** Varies with part number



* 2Kpcs per box

| Mark | Size(mm) |
|------|-------------|
| P | 12.7±0.5 |
| P0 | 12.7±0.2 |
| P1 | 3.85±0.5 |
| P2 | 6.35±1.3* |
| F | 2.5±0.3 |
| P2 | 2.5±0.3 |
| dxt | 0.5×0.3±0.1 |
| W | 18±0.5 |
| W0 | 5.5±0.5 |
| W1 | 9.0±0.5 |
| W2 | 1.0max |
| H | 18.0±0.2 |
| H1 | 27.0max** |
| H2 | 36.0max** |
| L | 3.0min |
| ΦD0 | 4.0±0.2 |
| t1 | 0.6±0.2 |
| t2 | 1.5max |
| Δh | 1.0max |

* Include the slant of products
** Varies with part number