

## SIRIUS XM Satellite Radio External Antennas

**Product Number: AT2332.5M-4336-30BTB**

### 1、Product Description

This product can be used as antenna units for SIRIUS XM satellite radio system.

### 2、OVERALL PERFORMANCE(Antenna Element, LNA & Cable)

CHARACTERISTICS	SPEC
Center Frequency	2320~2345MHz
Voltage	DC 3.0~5.5V
Current	18mA max
Gain	30dB typ
Noise Figure	1.5 dB max
Bandwidth(10dB return loss)	15MHz min
Output VSWR	2.0 max
Output Impedance	50ohm
Dimensions	42.6mm(L)×36.4mm(W)×13.5 mm(H) typ
Weight	15±2g(typ)
Cable	7138±127mm (RG174)
Connector	SMB-LP

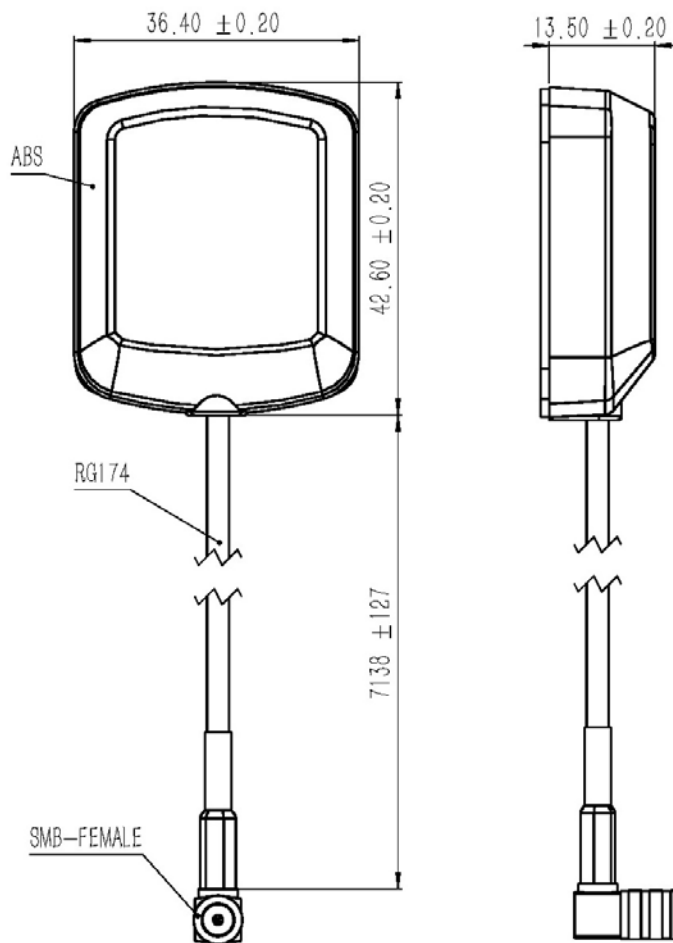
### 3、Patch antenna

CHARACTERISTICS	SPEC
Dimensions	25mm(L)×25mm(W)×4mm(H) typ
Center Frequency	2332.5±1MHz(27mm(L)×27mm(W) Ground)
Bandwidth(10dB return loss)	15MHz min
Peak Gain	3dB typ
Output V.S.W.R	2.0dB max
Output Impedance	50ohm
Polarization	R.H.C.P

### 4、LNA/Filter

CHARACTERISTICS	SPEC
Voltage	DC 3.0~5.5V
Current	18mA max
Center Frequency	2320~2345MHz
Gain	28±2dB typ
Noise Figure	1.5dB max
Filter(Out of band attenuation)	SAW filter 30dB min fo±60MHz (fo=1575.42MHz)
Output V.S.W.R	2.0 max

## 5 · ANTENNA DIMENSIONS



Unit : mm

## 6 · OPERATING CONDITION

Temperature	-20°C to +65°C
Humidity	10% to 95% RH

## 7 · STORAGE CONDITION

Temperature	-20°C to +70°C
Humidity	10% to 95% RH

### 8 · Note

- 1 · This product specification guarantees the quality of our product as a single unit. Please make sure that your product is evaluated and confirmed against your specifications when our product is mounted to your product.
- 2 · We cannot warrant against failure caused by any use of our product that deviates from the intended use as described in this product specification.
- 3 · The product will get free warranty for three months since the date of purchase users operate in the correct way; users will have to pay cost of the materials and maintaining fee out of the condition.
- 4 · Electrostatic sensitive device    Observe precautions for handling.