

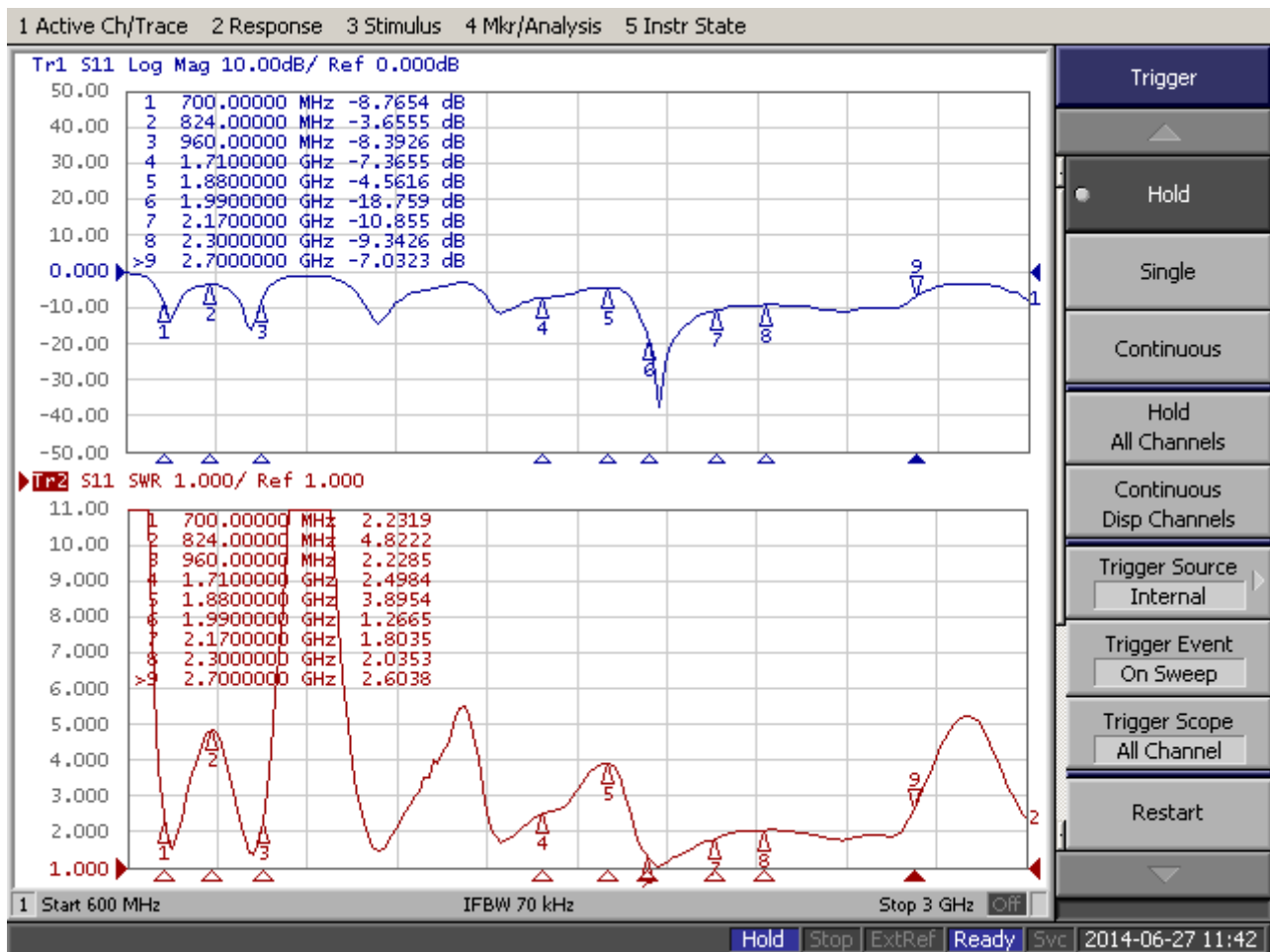
## 4G/LTE External Antennas

Product Number: ATLTE-25167-2.0BT

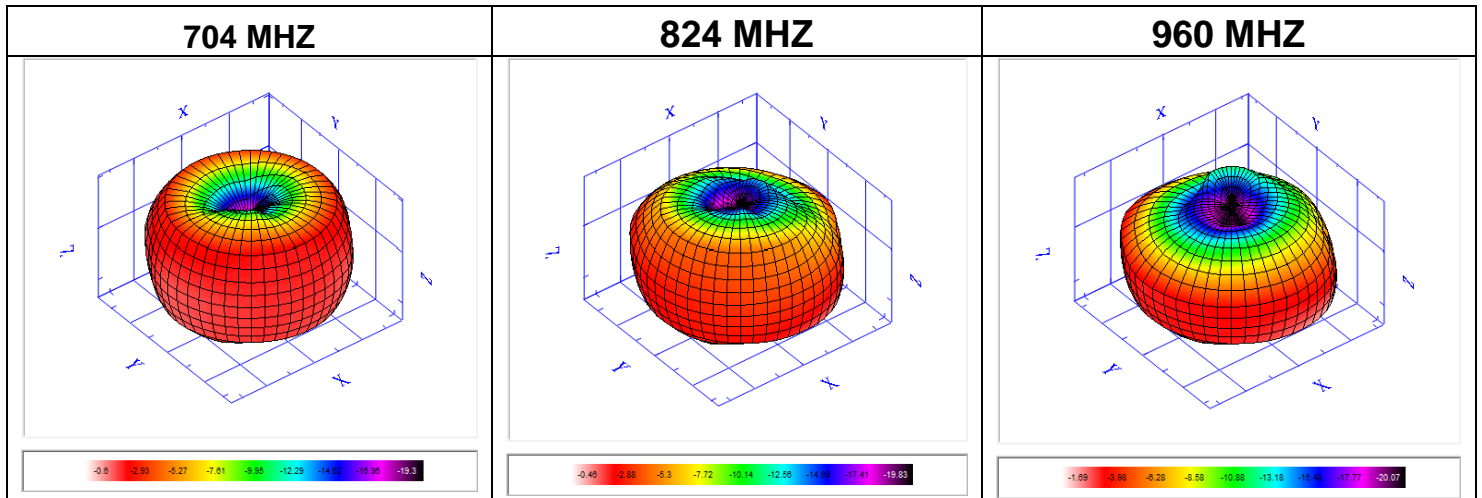
### 1. Specification

<b>Sample Photo</b>	
	
<b>A. Electrical Characteristics</b>	
Frequency	700-960MHz; 1710-2700MHz
V.S.W.R.	<= 2.5 @ 960 MHz <= 2.0 @ 1990 MHz
Antenna Gain	- 0.9 dBi @ 700 ~ 960 MHz 2.0 dBi @ 1710 ~ 2700 MHz
Polarization	Linear
Impedance	50 Ohm
<b>B. Material &amp; Mechanical Characteristics</b>	
Material of Radiator	PCB
Material of Plastic	Holder: ABS
Cable Type	RG178-U-03
Connector Type	SMA Male
<b>C. Environmental</b>	
Operation Temperature	- 40 °C ~ + 85 °C
Storage Temperature	- 40 °C ~ + 85 °C
Antenna Color Storage life	< 2 year

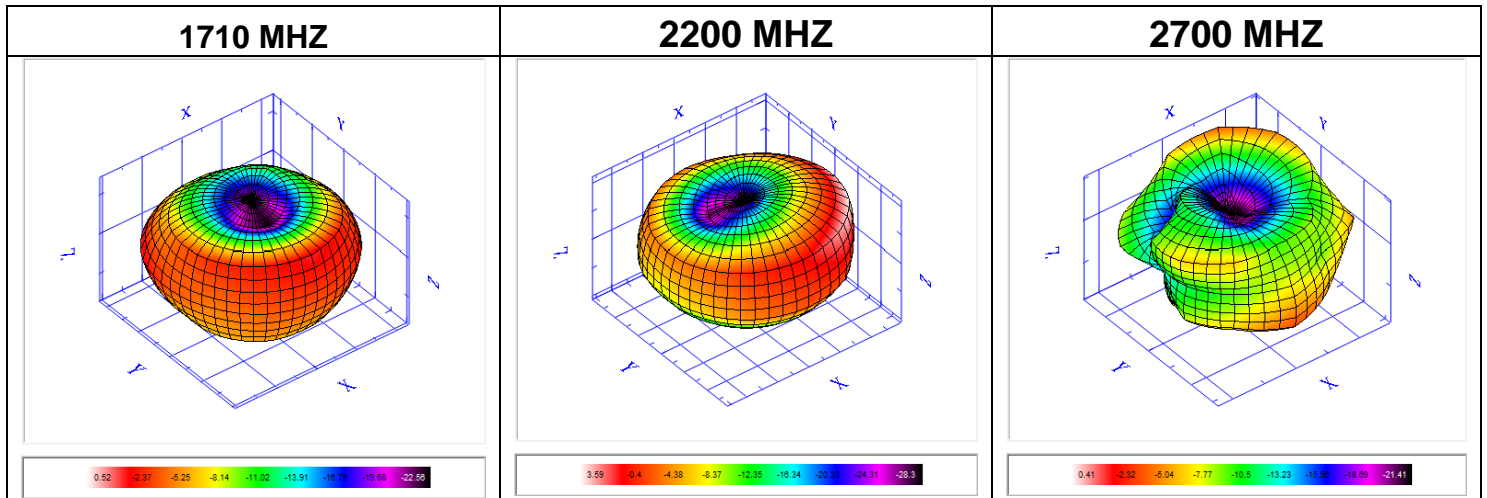
## 2. Antenna - S Parameter Test Data



### 3. Antenna - Radiation Pattern Test Data



Frequency	704	824	880	960
TRP (dBm)	-3	-3.68	-4.28	-5.23
Peak EIRP (dBm)	-0.6	-0.46	-1.12	-1.69
NHPRP +/- 45 (degree)	-3.06	-3.61	-4.21	-5.09
NHPRP +/- 30 (degree)	-3.41	-4.19	-4.8	-5.8
E-Theta Peak Gain (dBi)	-17.2	-12.77	-13.47	-13.15
E-Phi Peak Gain (dBi)	-0.6	-0.54	-1.14	-1.7
E-Total Peak Gain (dBi)	-0.6	-0.46	-1.12	-1.69
Directivity (dBi)	2.4	3.23	3.16	3.54
Efficiency (%)	50.15	42.81	37.31	30.02



Frequency	1710	1880	1990	2000	2100	2200	2300	2400	2500	2600	2700
TRP (dBm)	-2.79	-4.67	-2.59	-2.27	-2.22	-1.54	-2.08	-2.13	-2.75	-4.61	-6.96
Peak EIRP (dBm)	0.52	1.25	3.17	3.3	2.62	3.59	2.7	2.5	2.79	0.86	0.41
NHPRP +/- 45 (degree)	-2.94	-5.42	-3.18	-2.82	-2.7	-2.14	-2.69	-2.33	-2.78	-4.59	-6.73
NHPRP +/- 30 (degree)	-3.34	-5.49	-3.54	-3.21	-2.75	-1.99	-2.73	-2.71	-3.29	-5.96	-8.68
E-Theta Peak Gain (dBi)	-15.05	-13.61	-9.69	-9.56	-12.75	-12.82	-12.03	-12.02	-9.79	-6.75	-7.68
E-Phi Peak Gain (dBi)	0.46	1.21	3.13	3.26	2.57	3.55	2.66	2.47	2.7	0.65	0.17
E-Total Peak Gain (dBi)	0.52	1.25	3.17	3.3	2.62	3.59	2.7	2.5	2.79	0.86	0.41
Directivity (dBi)	3.31	5.92	5.76	5.57	4.84	5.13	4.78	4.64	5.54	5.47	7.37
Efficiency (%)	52.62	34.12	55.12	59.3	60.01	70.19	61.88	61.17	53.06	34.56	20.14

