


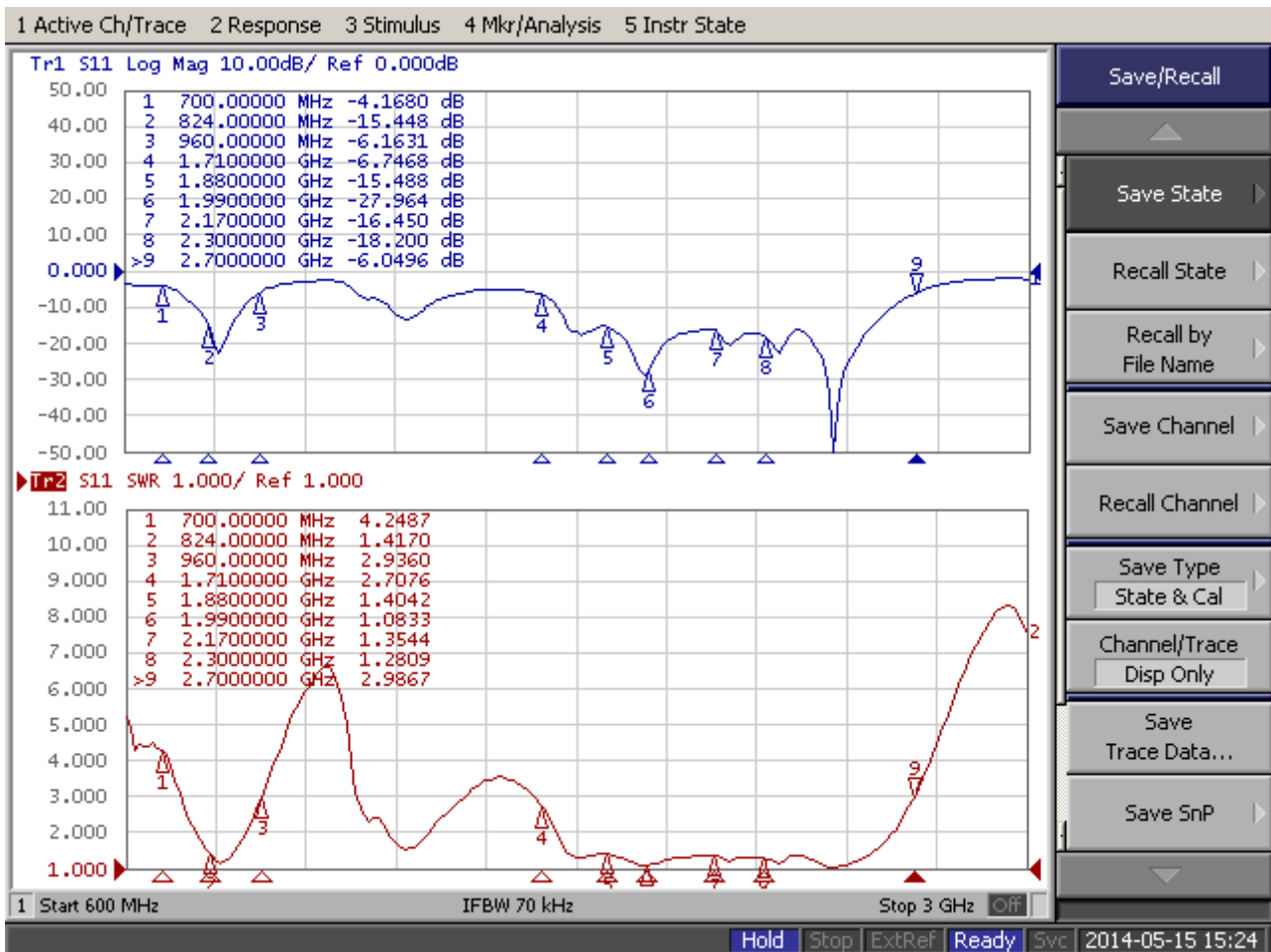
4G/LTE External Antennas

Product Number: ATLTE-27222-2.0BT

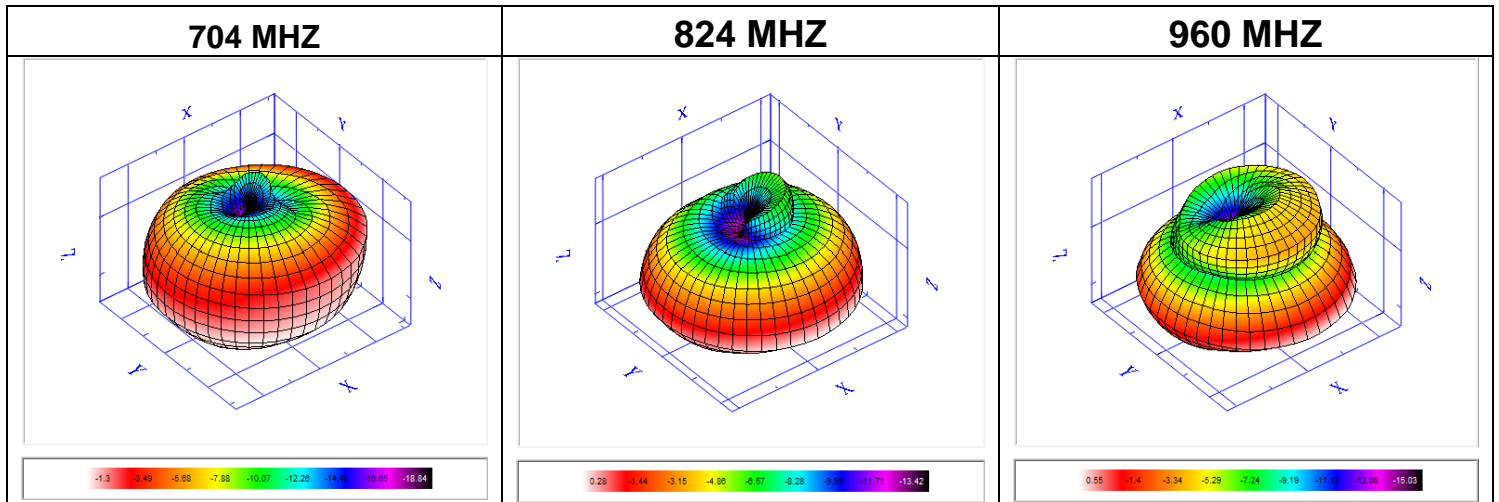
1. Specification

Sample Photo	
	
A. Electrical Characteristics	
Frequency	700-960MHz; 1710-2700MHz
V.S.W.R.	≤ 2.5 @ 824 MHz ≤ 2.0 @ 1880 ~ 2300 MHz
Antenna Gain	0.5 ± 0.5 dBi @ 700 ~ 960 MHz 2.0 ± 0.7 dBi @ 1710 ~ 2700 MHz
Efficiency (%)	40 % @ 700 ~ 960 MHz 76% @ 1710 ~ 2700 MHz
Polarization	Linear
Impedance	50 Ohm
B. Material & Mechanical Characteristics	
Material of Radiator	PCB
Material of Plastic	Holder: ABS
Cable Type	RG-178-U-03
Connector Type	SMA Male
C. Environmental	
Operation Temperature	- 40 °C ~ + 85 °C
Storage Temperature	- 40 °C ~ + 85 °C
Antenna Color Storage life	< 2 year

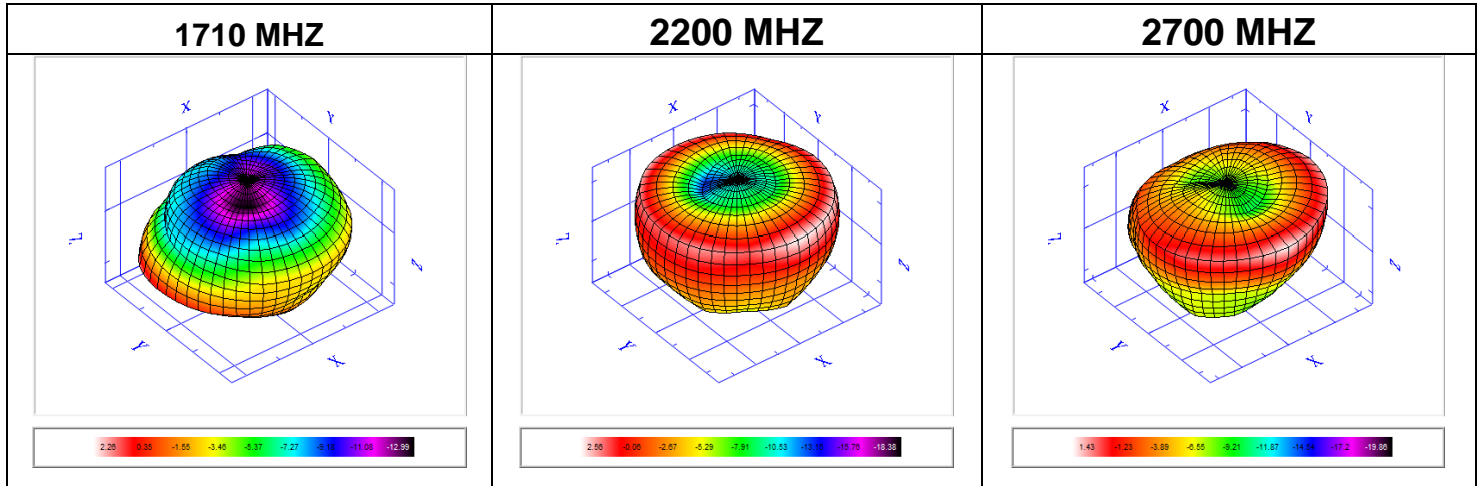
2. Antenna - S Parameter Test Data



3. Antenna - Radiation Pattern Test Data



Frequency	704	824	880	960
TRP (dBm)	-4.86	-3.74	-3.45	-3.65
Peak EIRP (dBm)	-1.3	0.28	0.71	0.55
NHPRP +/- 45 (degree)	-4.57	-3.5	-3.23	-3.41
NHPRP +/- 30 (degree)	-5.58	-4.79	-4.53	-4.97
E-Theta Peak Gain (dBi)	-7.42	-6.32	-5.78	-5.7
E-Phi Peak Gain (dBi)	-1.73	0.01	0.51	0.34
E-Total Peak Gain (dBi)	-1.3	0.28	0.71	0.55
Directivity (dBi)	3.56	4.02	4.16	4.2
Efficiency (%)	32.69	42.28	45.19	43.14



Frequency	1710	1880	1990	2000	2100	2200	2300	2400	2500	2600	2700
TRP (dBm)	-1.35	-1.09	-0.64	-0.63	-0.55	-0.63	-1.49	-1.76	-0.79	-1.33	-3.33
Peak EIRP (dBm)	2.26	0.64	1.38	1.52	2.32	2.56	1.22	2.38	3.7	3	1.43
NHPRP +/- 45 (degree)	-1.22	-1.36	-1	-1	-0.93	-1.08	-1.81	-2.06	-1.07	-1.73	-4.09
NHPRP +/- 30 (degree)	-2.77	-1.87	-1.22	-1.21	-1.08	-1.2	-2.48	-2.37	-1.13	-1.68	-3.98
E-Theta Peak Gain (dBi)	-7.6	-11.2	-13.9	-14.1	-12.8	-10.3	-9.71	-8.94	-8.18	-11.3	-13.4
E-Phi Peak Gain (dBi)	2.25	0.62	1.36	1.51	2.29	2.55	1.17	2.34	3.68	3	1.42
E-Total Peak Gain (dBi)	2.26	0.64	1.38	1.52	2.32	2.56	1.22	2.38	3.7	3	1.43
Directivity (dBi)	3.61	1.73	2.02	2.16	2.88	3.19	2.7	4.14	4.49	4.33	4.77
Efficiency (%)	73.24	77.8	86.31	86.43	88.07	86.49	71.01	66.74	83.37	73.7	46.43

4. Mechanical Drawing

