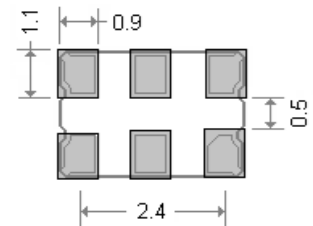
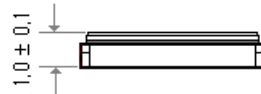
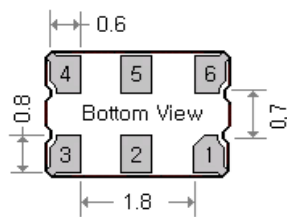
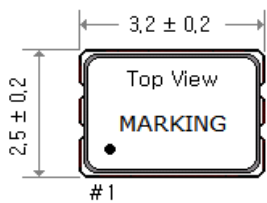


● SPECIFICATION

Model	OSCLP-S3 Series	
Power supply voltage	2.5V DC $\pm 5\%$	3.3V DC $\pm 5\%$
Output level	LVPECL	
Frequency range	13.500 ~ 212.500 MHz	
Storage temperature range	- 55°C ~ + 125°C	
Operation temperature range	- 10°C ~ + 70°C , - 40°C ~ + 85°C , - 40°C ~ + 125°C	
Frequency stability	± 25 ppm ~ ± 100 ppm	
Current consumption	50mA max	
Output Load	50 Ω	
Output voltage level (VOH)	Vcc - 1.025V min.	
Output voltage level (VOL)	Vcc - 1.62V max.	
Duty cycle	45% ~ 55%	
Enable input voltage (VIH)	1.750V min.	2.310V min.
Disable input voltage (VIL)	0.750V max.	0.990V max.
RISE / FALL / TIME		
15.000 ~ 99.999MHz (ns)	1.0 max.	1.0 max.
100.000 ~ 156.250MHz (ns)	0.5 max.	0.5 max.
Phase Jitter RMS (12KHz~20KHz)	1ps max.	
AGING	± 3 ppm / Year	

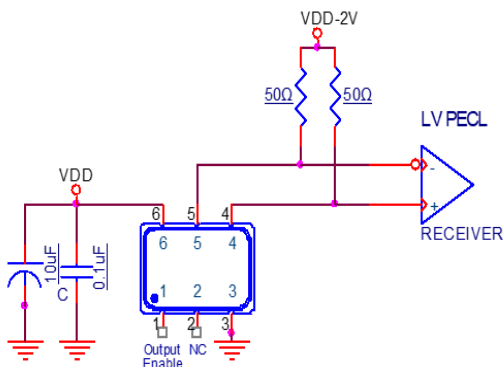
● DIMENSIONS (mm)



Pad Connections :
 Pad 1 : OE
 Pad 2 : No Connection
 Pad 3 : Ground
 Pad 4 : Output
 Pad 5 : Complimentary output
 Pad 6 : Supply voltage

Recommended Land Pattern

● TEST CIRCUIT



● OUTPUT WAVEFORM

