

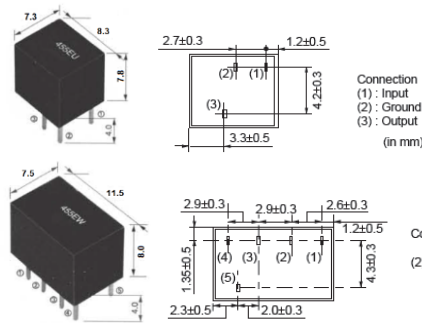
LT Series of Ceramic Filter for Communication

450 / 455KHz

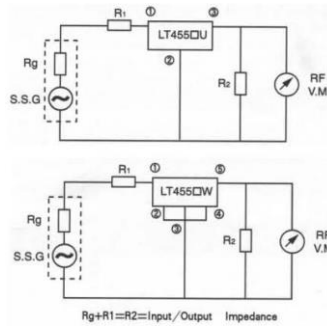
● TECHNICAL CHARACTERISTICS

Part Number		Center Frequency (KHz)	Insertion loss (dB) max.	Pass Band (dB) max	6dB Band Width (KHz)min	40dB Band Width (KHz)min (LT455□U)	50dB Band Width (KHz)min (LT455□W)	Stop Band Attenuation fo ±100KHz(dB)min		Inpup/Oupput Impedance (Ω)
								LT455□U	LT455□W	
LT450/455BU	LT450/455BW	450/455±2.0	4	2	±15	±30	±30	28	40	1500
LT450/455CU	LT450/455CW	450/455±2.0	4	2	±12.5	±24	±24	28	40	1500
LT450/455DU	LT450/455DW	450/455±1.5	4	2	±10	±20	±20	28	40	1500
LT450/455EU	LT450/455EW	450/455±1.5	6	2	±7.5	±15	±15	28	40	1500
LT450/455FU	LT450/455FW	450/455±1.5	6	2	±6	±12.5	±12.5	28	40	2000
LT450/455GU	LT450/455GW	450/455±1.5	6	2	±4.5	±10	±10	28	40	2000
LT450/455HU	LT450/455HW	450/455±1.0	6	2	±3	±9	±9	28	40	2000
LT450/455IU	LT450/455IW	450/455±1.0	6	2	±2	±7.5	±7.5	28	40	2000
LT450/455HTU	LT450/455HTW	450/455±1.0	6	2	±3	±9	±9	35	40	2000

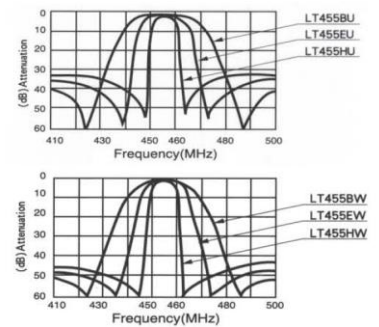
● DIMENSIONS (mm)



● TEST CIRCUIT



● CHARACTERISTICS



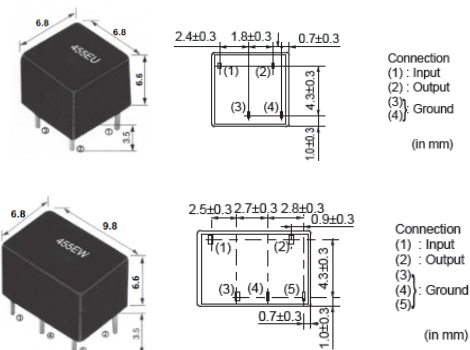
LTM Series of Ceramic Filter for Communication

450 / 455KHz

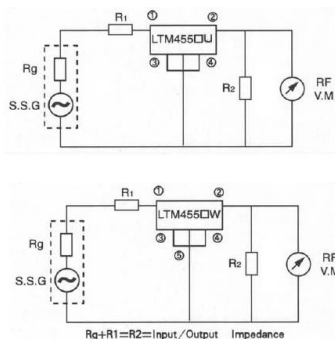
● TECHNICAL CHARACTERISTICS

Part Number		Center Frequency (KHz)	Insertion loss (dB) max.	Pass Band (dB) max	6dB Band Width (KHz)min	40dB Band Width (KHz)min (LTM455□U)	50dB Band Width (KHz)min (LTM455□W)	Stop Band Attenuation fo ±100KHz(dB)min		Inpup/Oupput Impedance (Ω)
								LTM455□U	LTM455□W	
LTM450/455BU	LTM450/455BW	450/455±2.0	4	2	±15	±30	±30	28	40	1500
LTM450/455CU	LTM450/455CW	450/455±2.0	4	2	±12.5	±24	±24	28	40	1500
LTM450/455DU	LTM450/455DW	450/455±1.5	4	2	±10	±20	±20	28	40	1500
LTM450/455EU	LTM450/455EW	450/455±1.5	6	2	±7.5	±15	±15	28	40	1500
LTM450/455FU	LTM450/455FW	450/455±1.5	6	2	±6	±12.5	±12.5	28	40	2000
LTM450/455GU	LTM450/455GW	450/455±1.5	6	2	±4.5	±10	±10	28	40	2000
LTM450/455HU	LTM450/455HW	450/455±1.0	6	2	±3	±9	±9	28	40	2000
LTM450/455IU	LTM450/455IW	450/455±1.0	6	2	±2	±7.5	±7.5	28	40	2000
LTM450/455HTU	LTM450/455HTW	450/455±1.0	6	2	±3	±9	±9	35	60	2000

● DIMENSIONS (mm)



● TEST CIRCUIT



● CHARACTERISTICS

