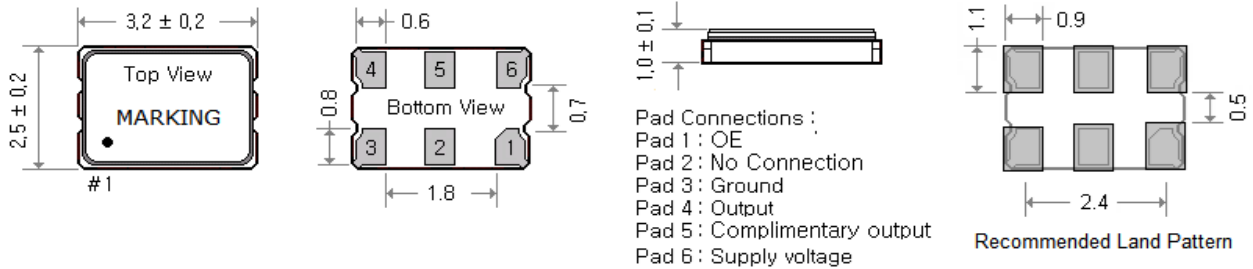


## OP-S3 Series : Programmable LVPECL Crystal Clock Oscillator 3.2x2.5mm 10.000 - 1,500.000MHz

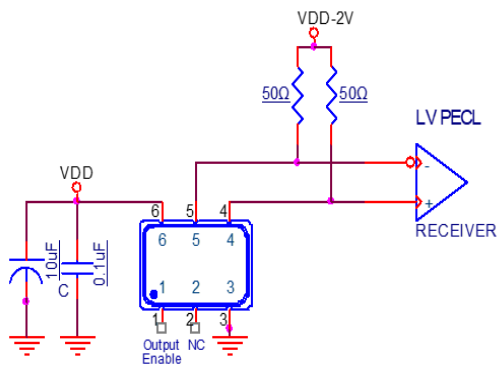
### ● SPECIFICATION

Model	OP-S3 Series	
Power supply voltage	2.5V DC $\pm 5\%$	3.3V DC $\pm 5\%$
Output level	LVPECL	
Frequency range	10.000 ~ 1,500.000 MHz	
Storage temperature range	- 55°C ~ + 125°C	
Operation temperature range	- 10°C ~ + 70°C , - 40°C ~ + 85°C , - 40°C ~ + 125°C	
Frequency stability	$\pm 25$ ppm ~ $\pm 100$ ppm	
Current consumption	70mA max	
Output Load	50 $\Omega$	
Output voltage level (VOH)	VCC - 1.025V min.	
Output voltage level (VOL)	VCC - 1.62V max.	
Start-up Time	10ms max.	
Duty cycle	45% ~ 55%	
Rise / Fall Time	0.5ns max.	
Phase Jitter RMS (12KHz~20MHz)	2.0ps max.	
Aging at 25°C	$\pm 2.0$ ppm max. in the 1st year	
Tri-state OE (Pad 1)	Enable : 70% VDD min.	
	Disable : 30% VDD max.	

### ● DIMENSIONS (mm)



### ● TEST CIRCUIT



### ● OUTPUT WAVEFORM

