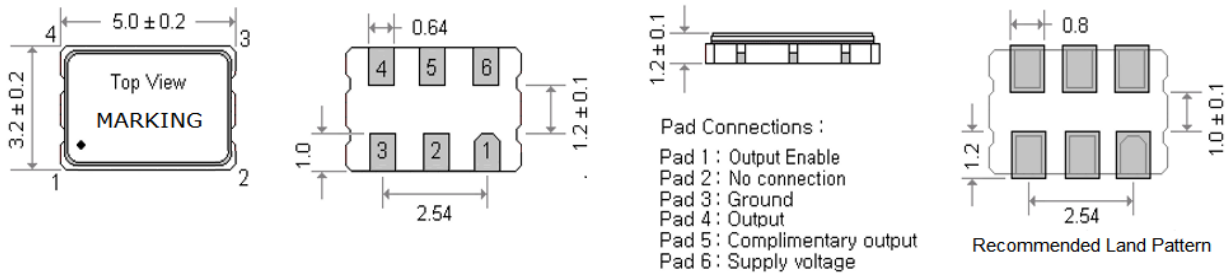


OP-S5 Series : Programmable LVPECL Crystal Clock Oscillator 5.0x3.2mm 10.000 - 1,500.000MHz

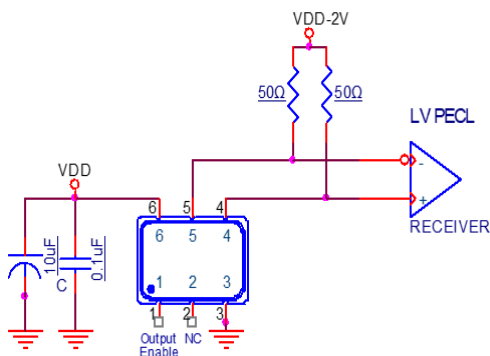
● SPECIFICATION

Model	OP-S5 Series	
Power supply voltage	2.5V DC $\pm 5\%$	3.3V DC $\pm 5\%$
Output level	LVPECL	
Frequency range	10.000 ~ 1,500.000 MHz	
Storage temperature range	- 55°C ~ + 125°C	
Operation temperature range	- 10°C ~ + 70°C , - 40°C ~ + 85°C , - 40°C ~ + 125°C	
Frequency stability	± 25 ppm ~ ± 100 ppm	
Current consumption	70mA max	
Output Load	50 Ω	
Output voltage level (V _{OH})	V _{CC} - 1.025V min.	
Output voltage level (V _{OL})	V _{CC} - 1.62V max.	
Start-up Time	10ms max.	
Duty cycle	45% ~ 55%	
Rise / Fall Time	0.5ns max.	
Phase Jitter RMS (12KHz~20MHz)	2.0ps max.	
Aging at 25°C	± 2.0 ppm max. in the 1st year	
Tri-state OE (Pad 1)	Enable : 70% V _{DD} min.	
	Disable : 30% V _{DD} max.	

● DIMENSIONS (mm)



● TEST CIRCUIT



● OUTPUT WAVEFORM

