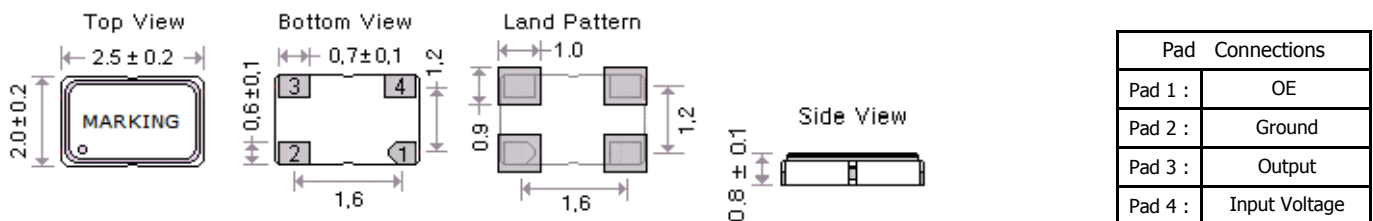


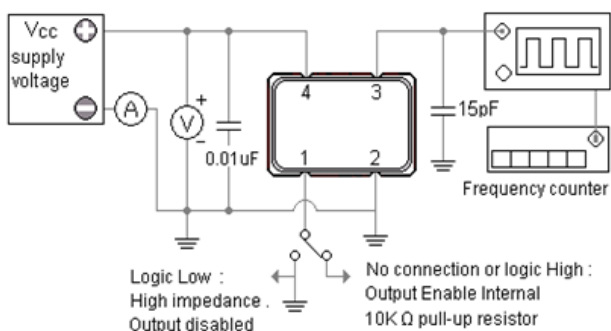
### ● SPECIFICATION

Model	O-S22 Series		
Power supply voltage	1.8V DC $\pm 5\%$	2.5V DC $\pm 5\%$	3.3V DC $\pm 5\%$
Output level	CMOS		
Frequency range	1.000 ~ 200.000 MHz		
Storage temperature range	- 55°C ~ + 125°C		
Operation temperature range	- 10°C ~ + 70°C , - 40°C ~ + 85°C , - 40°C ~ + 125°C		
Frequency stability	$\pm 20$ ppm ~ $\pm 100$ ppm		
Current consumption	30mA max	30mA max	35mA max
Output Load	15pF		
Output voltage level (V <sub>OH</sub> )	10% V <sub>DD</sub> max.		
Output voltage level (V <sub>OL</sub> )	90% V <sub>DD</sub> min.		
Start-up Time	10ms max.		
Duty cycle	45% ~ 55% at 1/2V <sub>DD</sub>		
Rise / Fall Time	5.0ns max.		
Phase Jitter RMS (12KHz~20MHz)	2.0ps max.		
Aging at 25°C	$\pm 2.0$ ppm max. in the 1st year		
Tri-state OE (Pad 1)	Enable : 70% V <sub>DD</sub> min.		
	Disable : 30% V <sub>DD</sub> max.		

### ● DIMENSIONS (mm)



### ● TEST CIRCUIT



### ● OUTPUT WAVEFORM

