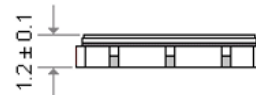
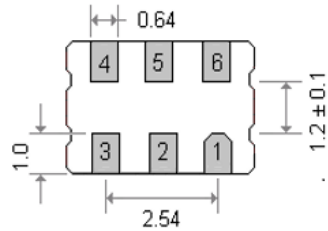
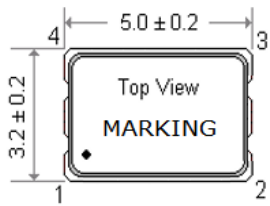


## ● SPECIFICATION

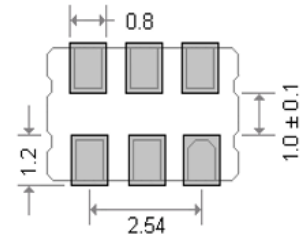
Model	OSCLP-S5 Series	
Power supply voltage	2.5V DC $\pm 5\%$	3.3V DC $\pm 10\%$
Output level	LVPECL	
Frequency range	10.000 ~ 250.000 MHz	
Storage temperature range	- 55°C ~ + 125°C	
Operation temperature range	- 10°C ~ + 70°C , - 40°C ~ + 85°C , - 40°C ~ + 125°C	
Frequency stability	$\pm 25$ ppm ~ $\pm 100$ ppm	
Current consumption	70mA max	
Output Load	50 $\Omega$	
Output voltage level (VOH)	Vcc - 1.025V min.	
Output voltage level (VOL)	Vcc - 1.62V max.	
Start-up Time	10 m sec. max.	
Duty cycle	45% ~ 55%	
Enable input voltage (VIH)	1.750V min.	2.310V min.
Disable input voltage (VIL)	0.750V max.	0.990V max.
RISE / FALL TIME (20% / 80%)	1.0nS max.	
Phase Jitter RMS (12KHz~20KHz)	1ps max.	
AGING	$\pm 3$ ppm / Year	

## ● DIMENSIONS (mm)

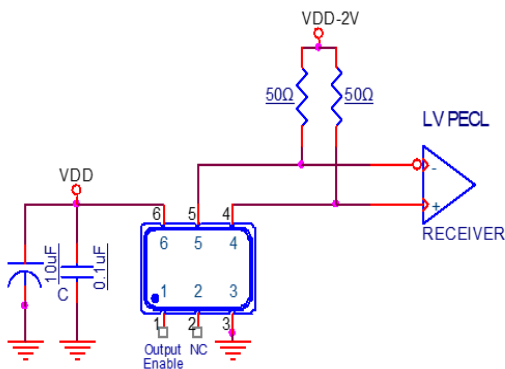


Pad Connections :

- Pad 1 : Output Enable
- Pad 2 : No connection
- Pad 3 : Ground
- Pad 4 : Output
- Pad 5 : Complimentary output
- Pad 6 : Supply voltage



## ● TEST CIRCUIT



## ● OUTPUT WAVEFORM

