

YIC



GNSS L1+L2 External Active Antenna ATGGBL22759-BP

Datasheet

1. Product Information

1.1 Product Description

This product can be used as various L1+L2 GPS/GLONASS/Galileo/BeiDou receivers navigation, clock, positioning.

2. Part NO. : ATGGBL22759-BP

3. Overall Performance

Characteristics	SPEC
Center Frequency	L1: 1575±1.023 MHz for GPS/Galileo L1: 1602±8 MHz for GLONASS L1: 1561±2.046 MHz for BeiDou L2: 1227±10 MHz
Gain	2dBi
Axial Ratio	3dB Max
V.S.W.R	2.0 Max
Impedance	50ohm
Polarization	RHCP
LNA	SPEC
Gain	33±2dB
Noise Figure	2dB Max
V.S.W.R	2.0 Max
In band Spectrum Ripple	±2dB
Single-Ended Signaling Delay	5ns Max
Voltage	Typ.: 3.3 V Max: 12.0V
Current	Max: 55mA
Mechanical	SPEC
Dimensions	∅ 27.5*59mm
Connector	SMA (Male)
Weight	24g

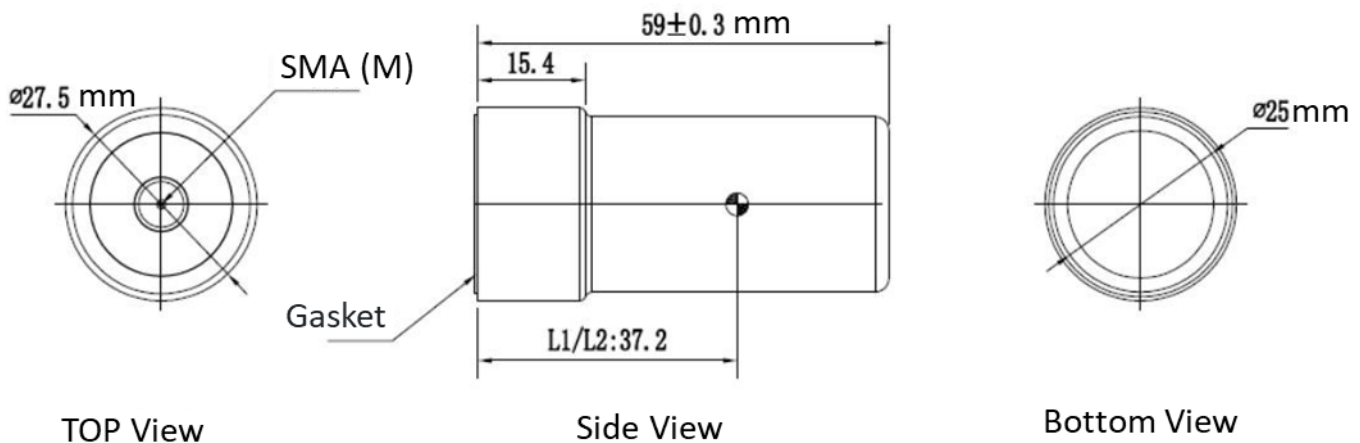
4. Operating Condition

Temperature	-40°C to +85°C
Humidity	10% to 95% RH

5. Storage Condition

Temperature	-40°C to +85°C
Humidity	10% to 95% RH

6. Dimensions



7. Note

1. This product specification guarantees the quality of our product as a single unit. Please make sure that your product is evaluated and confirmed against your specifications when our product is mounted to your product.
2. We cannot warrant against failure caused by any use of our product that deviates from the intended use as described in this product specification.
3. Electrostatic sensitive device Observe precautions for handling.