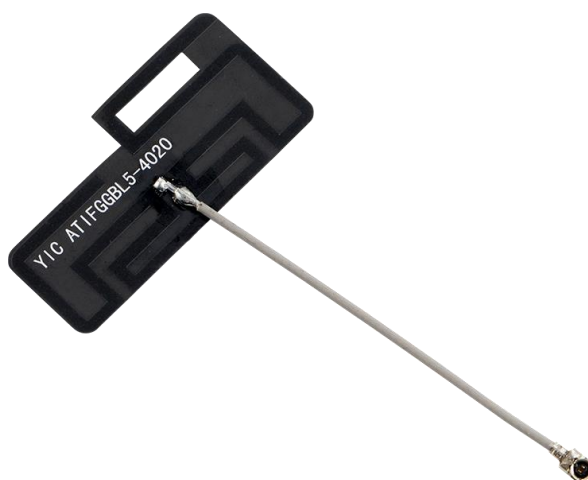


# YIC



## **GNSS L1+L5 Flexible PCB Internal Antenna ATIFGGBL5-4020**

**Datasheet**

## 1. Product Information

### 1.1 Product Description

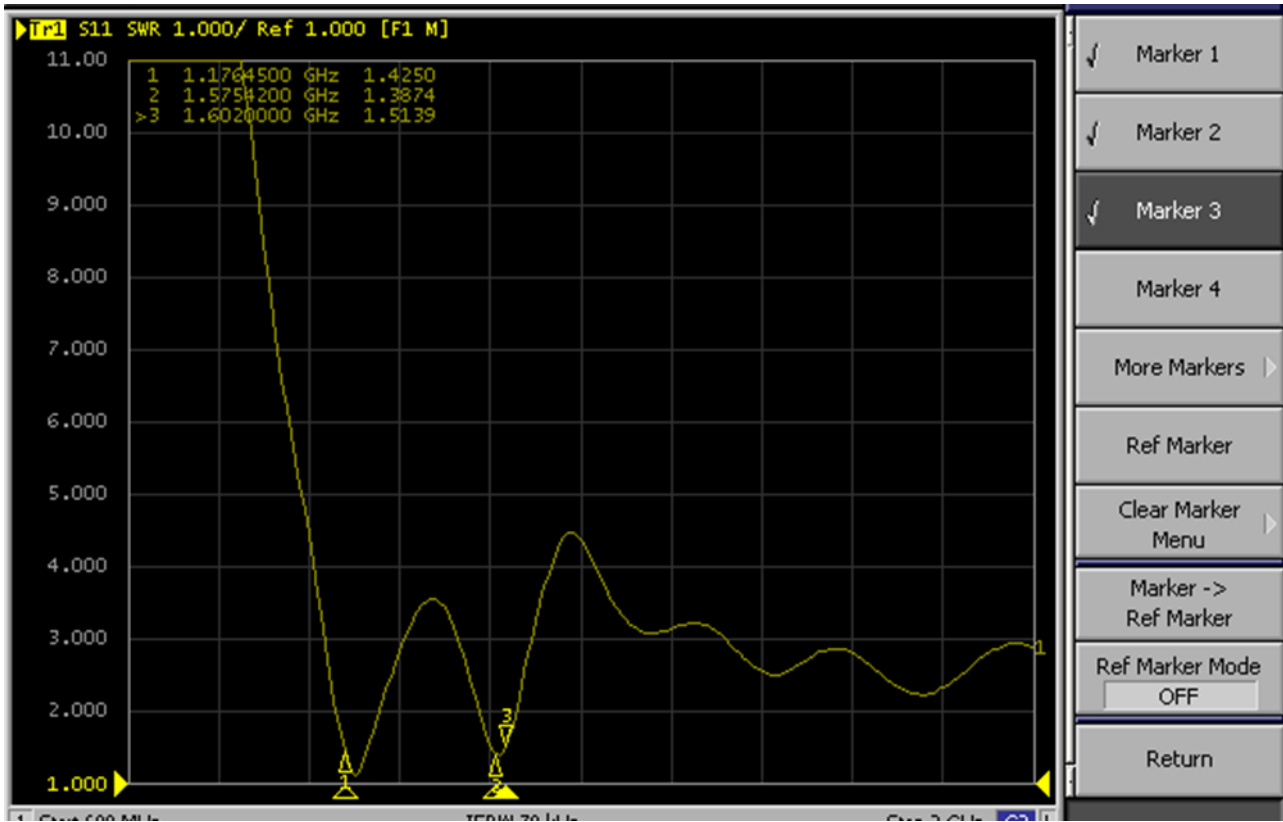
This product can be used as various GPS L1/L5 + Glonass + Beidou of Multi-band receivers' navigation, clock, positioning.

## 2. Part NO. : ATIFGGBL5-4020

## 3. Overall Performance (Antenna Element & Cable)

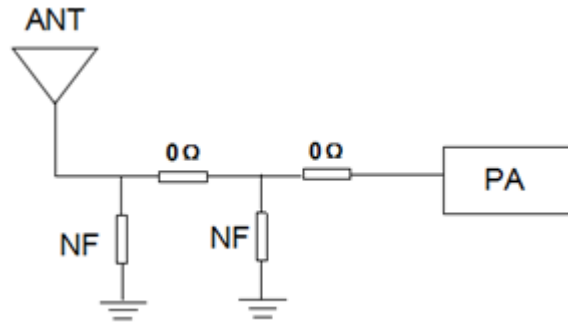
CHARACTERISTICS	SPEC
Center Frequency	L1: 1575±1.023 MHz for GPS/Galileo L1: 1602±8 MHz for GLONASS L1: 1561±2.046 MHz for Beidou L5: 1176 ±10 MHz
Max input Power	50W
Gain	2 dBi
Output VSWR	2.0 max
Output Impedance	50ohm
Dimensions	40±0.15mm(L) × 20±0.15mm(W)
Cable	60±0.15mm (Φ=1.13mm)
Connector	I-PEX MHF I (U.FL)

## 4. VSWR

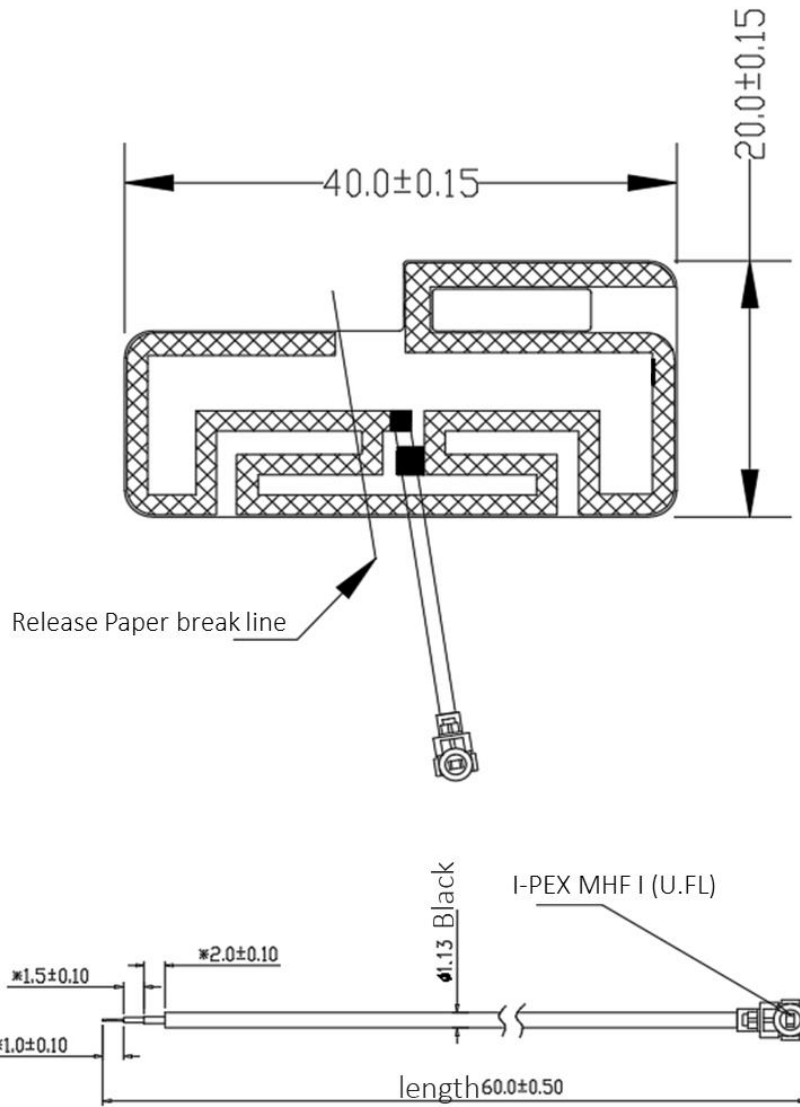


Frequency (MHz)	Effi (%)	Effi (dB)	Gain (dBi)
1175.0	33.13	-4.8	-0.78
1575.0	32.63	-4.86	-0.87
1602.0	31.17	-5.06	-1.1

## 5. Matching Circuit



## 6. Dimensions



## 7. Operating Condition

Temperature	-40°C to +85°C
Humidity	10% to 95% RH

## 8. Storage Condition

Temperature	-40°C to +85°C
Humidity	10% to 95% RH

## 9. Note

- 1、 This product specification guarantees the quality of our product as a single unit. Please make sure that your product is evaluated and confirmed against your specifications when our product is mounted to your product.
- 2、 We cannot warrant against failure caused by any use of our product that deviates from the intended use as described in this product specification.
- 3、 The product will get free warranty for three months since the date of purchase users operate in the correct way; users will have to pay cost of the materials and maintaining fee out of the condition.
- 4、 Electrostatic sensitive device Observe precautions for handling.