

CDBM Series of Ceramic Discriminator for Communication 455KHz

● TECHNICAL CHARACTERISTICS

Part Number	Center Frequency (Fn) (KHz)	Demodulation 3dB band Width	Demodulation Output (455KHz)	Distortion Factor (455KHz)	Other Specification				
					Resonant Freq.Fr	Antiresonant Freq.Fa	$\Delta F(Fa-Fr)$	Resonant Resistance Rt	Capacitance C
CDBM455C3						455±1.5KHz	48±1.5KHz	70Ωmax	600pF±20%
CDBM455C7	455±2	±4.0KHz min	340±60mV	2.5%max					
CDBM455C9	455±2	±5.0KHz min	100mV	1.5%max					
CDBM455C10					429±2.0KHz		46KHz min	70Ωmax	580pF±20%
CDBM455C34	455±2	±4.0KHz min	65±20mV	2.5%max					
CDBM455C4						470±1.0KHz	43±2.0KHz	300Ωmax	140pF±20%
CDBM455C16	455±2	±4.0KHz min	190±50mV	2.0%max					
CDBM455C18	455±2	±3.0KHz min	180±40mV	2.0%max					
CDBM455C24	455±2	±4.0KHz min	100±40mV	2.0%max					
CDBM455C29	455±2	±4.0KHz min	125±30mV	2.5%max					
CDBM455C28	455±2	±4.0KHz min	40±20mV	3.0%max					
CDBM455C32	455±2	±4.0KHz min	40±20mV	3.0%max					

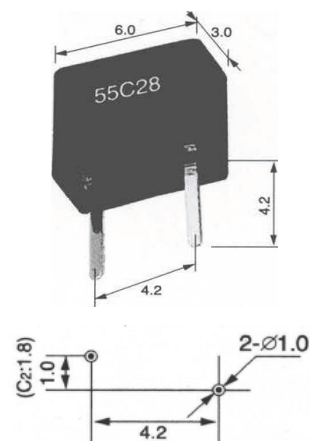
CDBC Series of Ceramic Discriminator for Communication SMD Type 455KHz

● TECHNICAL CHARACTERISTICS

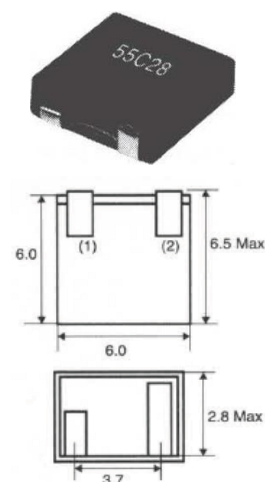
Part Number	Center Frequency (Fn) (KHz)	Demodulation 3dB band Width	Demodulation Output (455KHz)	Distortion Factor (455KHz)
CDBC455C24	455±2	±4.0KHz min	100±40mV	2.0%max
CDBC455C29	455±2	±4.0KHz min	100±30mV	2.5%max
CDBC455C28	455±2	±4.0KHz min	40±20mV	3.0%max
CDBC455C32	455±2	±4.0KHz min	40±20mV	3.0%max

● DIMENSIONS (mm)

CDBM TYPE



CDBC TYPE



● FOR IC RECOMMANDS

Part Number	IC MAKER	IC Number
CDBM455C3	SONY	CXA1183
CDBM455C7	MOTOROLA	MC3357
CDBM455C9	SIGNRTICS	NE604/5
CDBM455C10	TOSHIBA	TA8103F
CDBM455C34	MOTOROLA	MC13136
CDBM455C4	SANYO	LA8610
CDBM455C16	MOTOROLA	MC3372
CDBM455C18	MOTOROLA	MC3371
CDBM455C24	TOSHIBA	TA3361
CDBM455C29	SIGNRTICS	NE605
CDBM455C28	TOSHIBA	TA31142
CDBM455C32	TOSHIBA	TA31143