

VP Series : Programmable LVPECL Voltage - Controlled Crystal Oscillators 10.000 ~ 1,500.000MHz

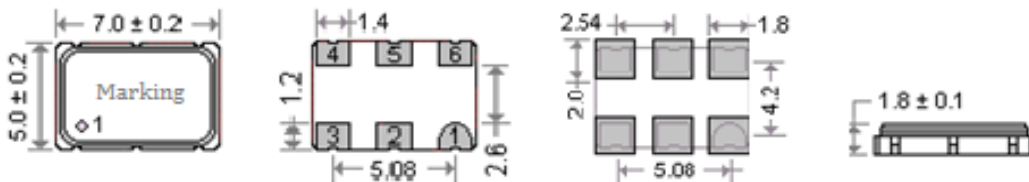
● SPECIFICATION

Frequency Range	10.000 ~ 1,500.000MHz
Input Voltage (V _{DD})	+2.5V , +3.3V
Frequency stability	±25ppm , ±50ppm , ±100ppm
Operation Temperature	-10°C ~ +70°C Typical , (-40°C ~ +85°C Available)
Storage Temperature Range	- 55°C ~ + 125°C
Output voltage level (V _{OH})	V _{CC} - 1.025V min.
Output voltage level (V _{OL})	V _{CC} - 1.62V max.
Control Voltage Range (V _c)	1.25±1.0V (V _{DD} =2.5V) 1.65±1.35V (V _{DD} =3.3V)
Pulling Range	±30ppm ~ ±200ppm min.
Output Load	50Ω
Start-up Time	10 ms max.
Duty Cycle	45% ~ 55%
Rise / Fall Time	1 ns max.
Current Consumption	85mA max.
Linearity	10% max.
Aging at 25°C	±3.0ppm max. in the 1st year
Tri-state OE (Pad 2)	Enable : 70% V _{DD} min. Disable : 30% V _{DD} max.

● PART NUMBERING

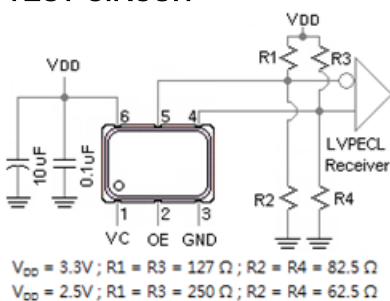
VP	Packing Code	Input Voltage	Operation Temperature	Pulling Range	Frequency	Stability	Custom Speci
	756 : 7.0x5.0mm,6P 536 : 5.0x3.2mm,6P 326 : 3.2x2.5mm,6P	2.5 : 2.5V 3.3 : 3.3V	1 : -10~+60°C Blank : -10~+70°C 2 : -20~+70°C 27 : -20~+75°C 28 : -20~+85°C 3 : -30~+75°C 38 : -30~+85°C I : -40~+85°C A : -40~+105°C B : -40~+125°C C : -55~+125°C D : -40~+150°C X : Custom	A : ±30.0PPM B : ±50.0PPM C : ±100.0PPM D : ±200.0PPM	In MHz	10 : ±10.0PPM 25 : ±25.0PPM 50 : ±50.0PPM 100 : ±100.0PPM	*

● DIMENSIONS (mm)



PIN CONNECTIONS
 PIN 1 : [Voltage Control]
 PIN 2 : [OE]
 PIN 3 : [Ground]
 PIN 4 : [Differential]
 PIN 5 : [Complementary]
 PIN 6 : [V_{DD}]

● TEST CIRCUIT



● OUTPUT WAVEFORM

