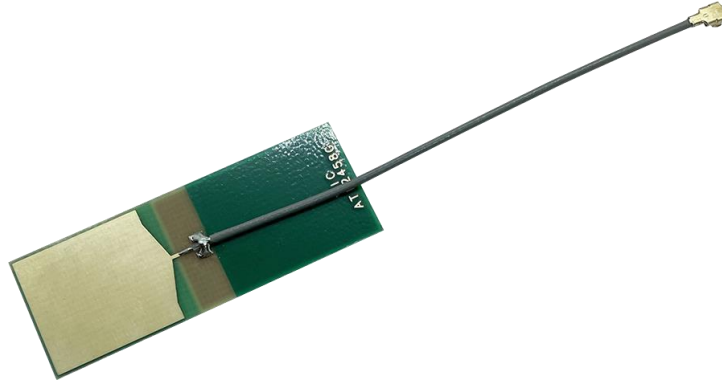


2.4G / 5.8GHz Dual Band Wi-Fi Antenna



Model Number: ATI2458G-4717-55

General Description

ATI2458G is suitable for wide range Wi-Fi, Bluetooth and Zigbee devices.

Features

- Stable and reliable in performances
- Low temperature coefficient of frequency
- RoHS compliance
- PCB type
- Double-sided 3M tape

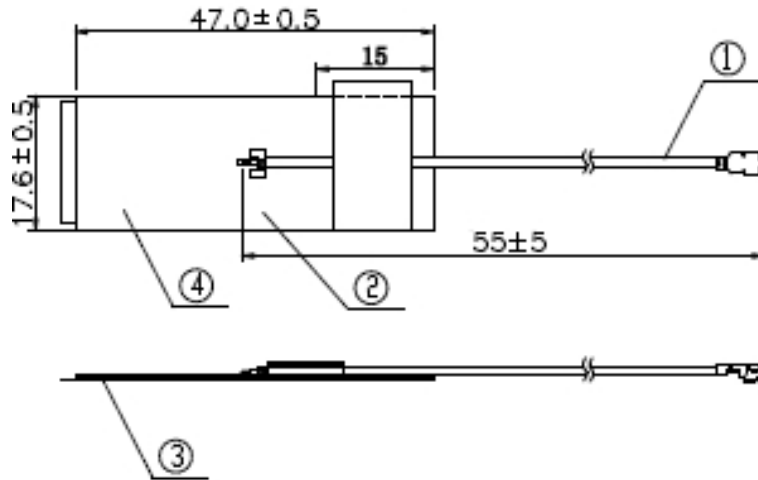
Applications

- Automobile
- Recreational
- Marine
- Handheld system

CONFIGURATION

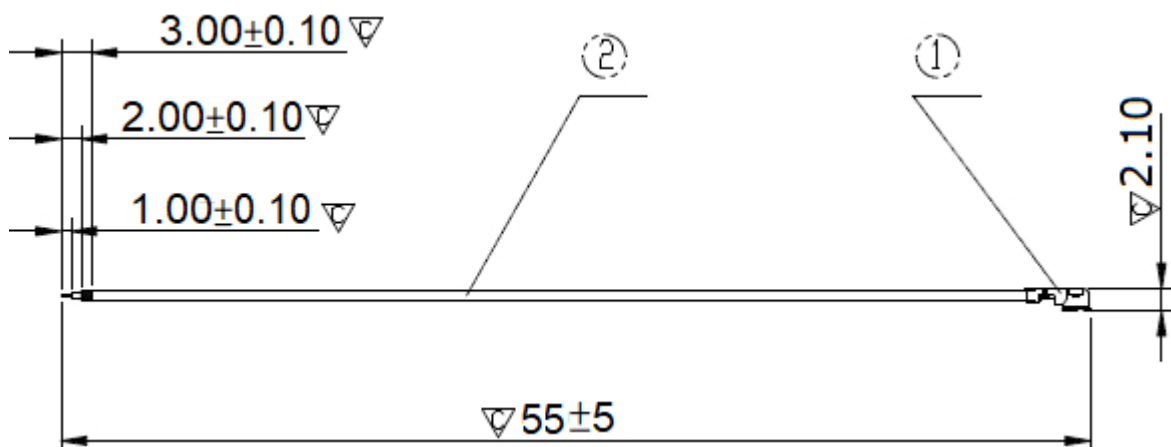
- Can be customized
- RF Cable Type : Micro Coaxial 1.13mm (Can be customized)
- Cable Length : 55mm
- RF Connector : I-PEX (U. FL)
- Impedance : 50 Ω
- Output V.S.W.R : 2.0 MAX
- Gain : 2dBi

1. Product Dimension

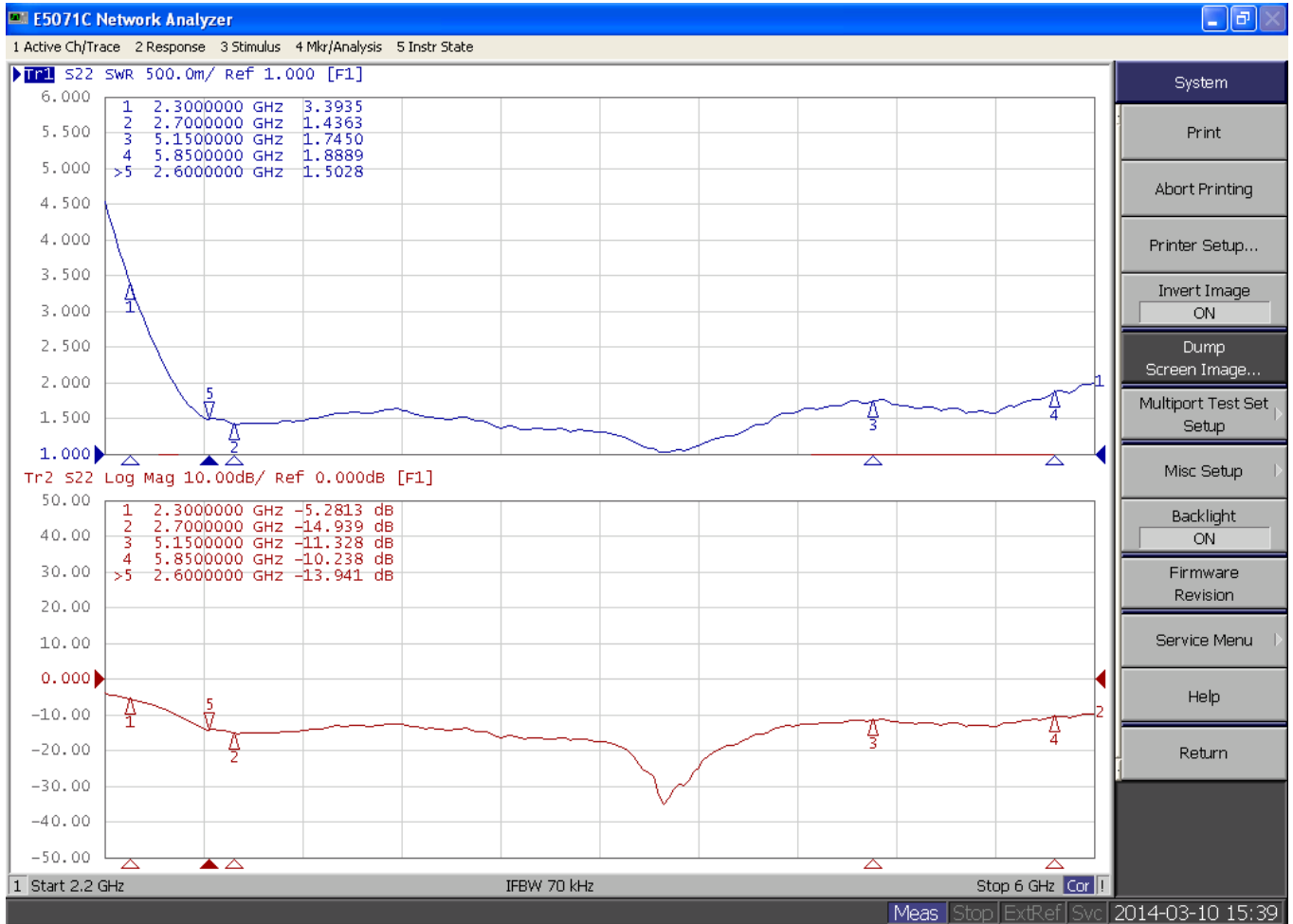


ITEM	DESCRIPITON		Q'TY
1	CABLE	1.13 CABLE, BLACK, L=55mm	1 PCS
2	CONNECTOR	I-PEX FOR 1.13MM CABLE PLAT-GOLD	1 PCS
3	PCB	FR4 47*17.6*0.4MM	1 PCS
4	DOUBLE-SIDED 3M TAPE	46*16*0.4MM	1 PCS

cable dimension



2. Reflection Coefficient & Input Impedance on a Smith Chart



2.1 Equipment : Network Analyzer (Agilent E5071C) (Fig.1)



Fig.1

2.2 Item : Gain pattern、 Axial ratio

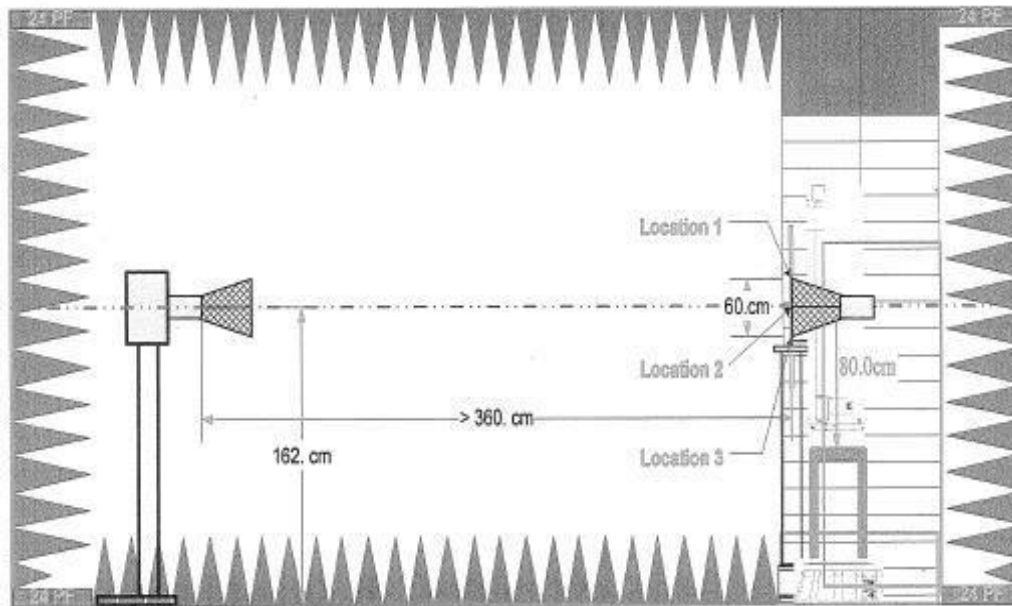


Fig.2

3.Packing

3.1 1.8K pcs / Carton , 2 Layers inside , 900 pcs / Layer ,

3.2 20 pcs / Bag , 5 Bags / Cell , 9 Cells / Layer

3.3 Carton dimension : 400 * 400 * 500 mm(H)

The packing in manner to avoid damage , pressure & bending of single unit.