

● SPECIFICATION

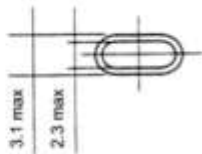
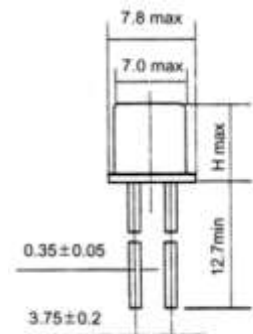
Model	UM-1/5, UM-1J/5J Series
Frequency range	4.500 ~ 100.000 MHz
Frequency tolerance	±10 ~ ±30 ppm (at 25°C)
Frequency stability	±10 ~ ±30 ppm (ref. to 25°C)
Operation temperature	- 40°C ~ + 85°C or specify
Storage temperature	- 55°C ~ + 125°C
Load capacitance	8 to 32 pF or specify
Drive level	100 uW (typ) , 500 uW (max)
Series resistance	See below
Shunt capacitance	7 pF (max)
Insulation resistance	500 MΩ min / DC
Aging	±3 ppm / Year (max)

● EQUIVALENT SERIES RESISTANCE

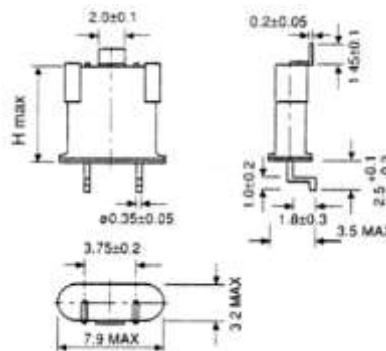
Frequency MHz	Model	ESR
8.000-11.999	Fundamental	25 Ω (max)
12.000-50.000	Fundamental	30 Ω (max)
24.000-100.000	3rd	40 Ω (max)

● DIMENSIONS (mm)

UM-1, UM-5



UM-1J, UM-5



H	UM-1	8.0
	UM-5	5.8

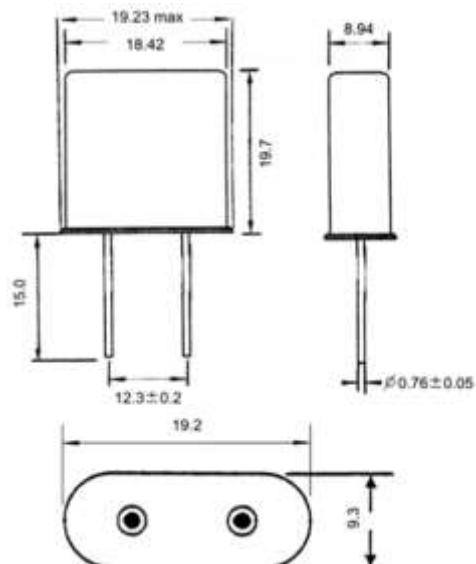
51U Series: HC-51U Quartz crystal

150 - 25000 KHz

● SPECIFICATION

Frequency Range	150 – 25000 KHz
Vibration Mode	150K~400KHz DT Cut 400K~500KHz CT Cut 850K~25000KHz AT Cut
Frequency Tolerance	±3 ppm at 25°C
Drive Level	2,4 mW
Aging	±7 ppm / Year (max)

DIMENSIONS (mm)



● EQUIVALENT SERIES RESISTANCE

Frequency KHz	ESR (KΩ)
150-500	8
850-999	0.3 ~ 0.6
1000-25000	0.02 ~ 0.3