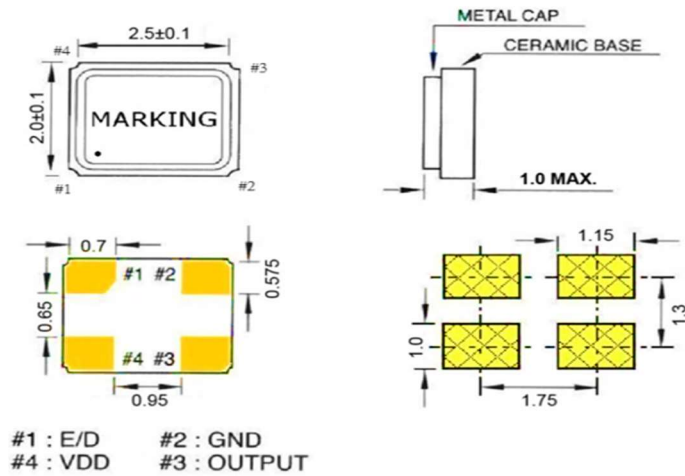


## ● SPECIFICATION

Model	OSC-S22 RTC Series		
Frequency range	32.768 KHz		
Storage temperature range	- 55°C ~ + 125°C		
Operation temperature range	- 20°C ~ + 70°C , - 40°C ~ + 85°C , - 40°C ~ + 125°C , specify		
Frequency stability	±20 ppm ~ ±50 ppm		
Power supply voltage	3.3V DC ±10%	2.5V DC ±5%	1.8V DC ±5%
Current consumption	50 uA (max)		
Output level	C-MOS		
Load	15 pF		
Output voltage level	$V_{OL} : 10\% V_{dd} (max) / V_{OH} : 90\% V_{dd} (min)$		
Start-up Time	2 mS (max)		
Duty cycle	45% ~ 55% at 1/2 Vdd		
RISE / FALL TIME	20 nS (max)		
Phase Jitter	0.3 pS (typ)		
Enable Control Pad1	Enable Voltage High	70% Vdd (min)	
	Disable Voltage Low	30% Vdd (max)	
	Disable Current	10 uA (max)	
Aging	±3ppm / Year (max)		

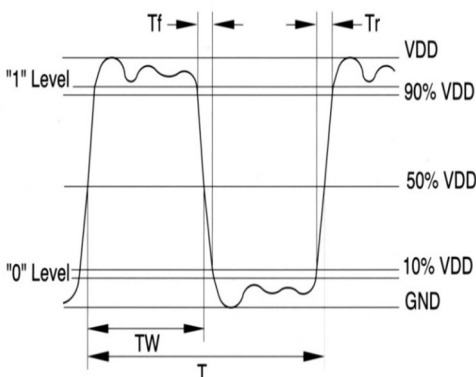
## ● DIMENSIONS (mm)



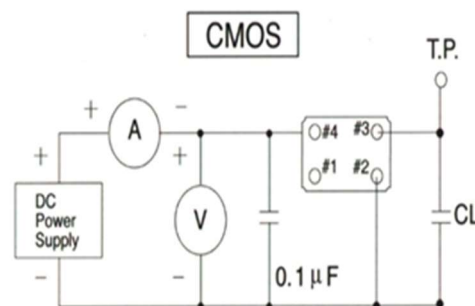
Bottom

(Recommended Land Pattern)

## ● OUTPUT WAVEFORM



## ● TEST CIRCUIT



\*\*\* Because S22 series has no by pass capacitor.  
So, we recommend our customer to use capacitor 0.1μF  
in join Vcc and GND.