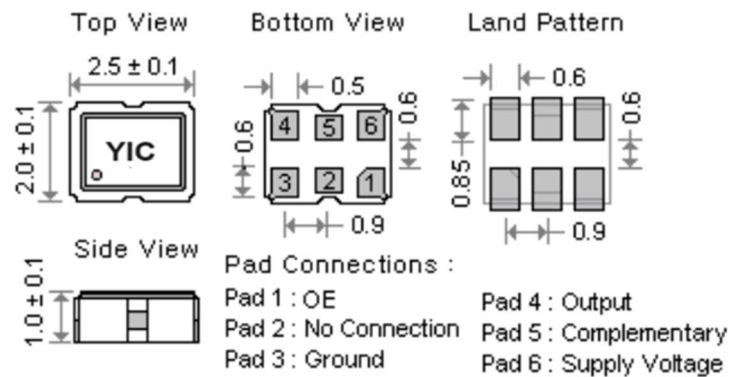


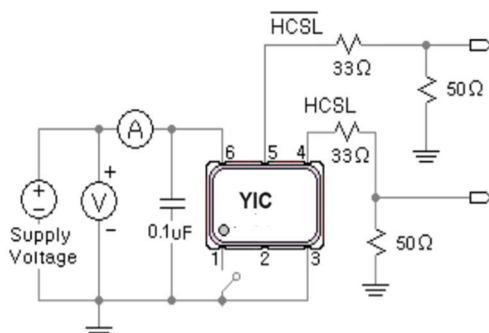
● SPECIFICATION

Model	OSCHS -S22 Series		
Power supply voltage	1.8V DC $\pm 5\%$	2.5V DC $\pm 5\%$	3.3V DC $\pm 10\%$
Output level	HCSL		
Frequency range	13.500 ~ 220.000 MHz		
Storage temperature range	- 55°C ~ + 125°C		
Operation temperature range	- 20°C ~ + 70°C , - 40°C ~ + 85°C , - 40°C ~ + 125°C , specify		
Frequency stability	± 25 ppm ~ ± 100 ppm		
Current consumption	< 90 MHz: 17 mA (typ) , 27 mA (max) / 90.1 MHz ~ 160 MHz : 29 mA (max) 160.1 MHz ~ 200 MHz : 30 mA (max)		
Output load	50 Ω to ground on each output		
Output voltage level (VOH)	400 mV (min) , 750 mV (typ)	550 mV (min) , 850 mV (max)	550 mV (min) , 850 mV (max)
Output voltage level (VOL)	-150 mV (min) , 150 mV (max)		
Differential Output voltage	400 mV (typ)	500 mV (typ)	600 mV (typ)
Start-up time	5.0 mS (typ) , 10 mS(max)		
Duty cycle	45% ~ 55%		
Enable input voltage (VIH)	When 70% min. of VDD to Enable Output. Enable time : 10 mS (max)		
Disable input voltage (VIH)	When 30% max. of VDD to Disable Output. Disable current : 10 μ A (max) (OE \leq 0.3V) Disable time : 0.2 μ S (max)		
RISE / FALL TIME (20% / 80%)	0.3 nS (max)		
Phase Jitter RMS (12KHz~20KHz)	0.2 pS (typ)		
Aging	± 3 ppm @ first year		

● DIMENSIONS (mm)



● HCSL Test Circuit



● OUTPUT WAVEFORM

