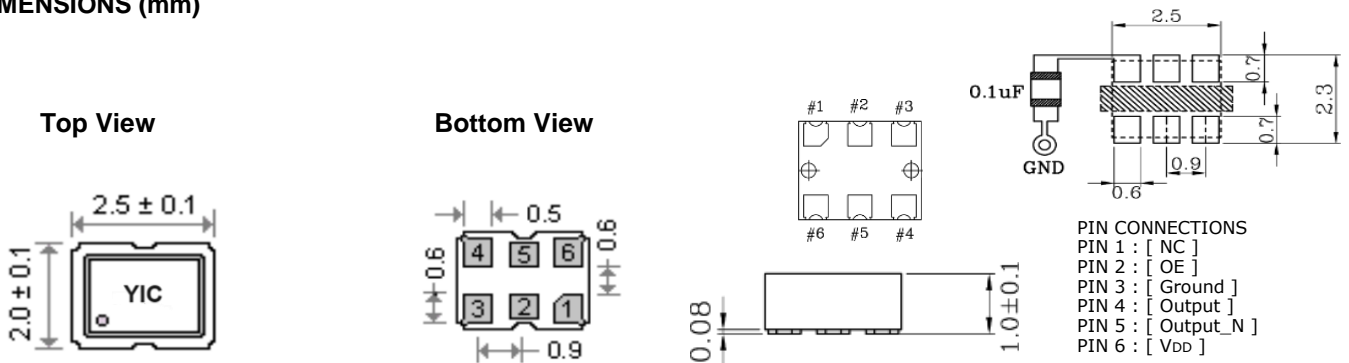


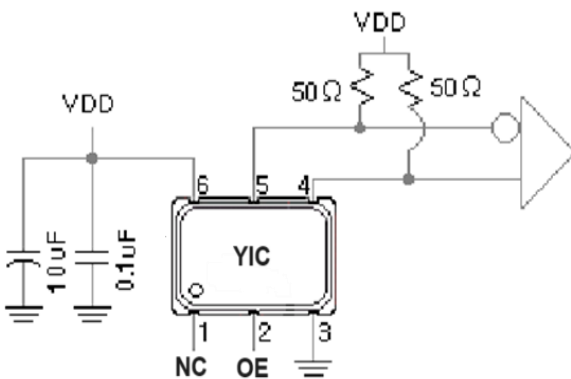
## ● SPECIFICATION

Model	OC -S22Series		
Power supply voltage	1.8V DC $\pm 5\%$	2.5V DC $\pm 10\%$	3.3V DC $\pm 10\%$
Output level	CML		
Frequency range	15.000 MHz ~ 2100.00 MHz		
Storage temperature range	- 55°C ~ + 125°C		
Operation temperature range	- 20°C ~ + 70°C , - 40°C ~ + 85°C , - 40°C ~ + 125°C , specify		
Frequency stability	$\pm 25$ ppm ~ $\pm 100$ ppm		
Current consumption	90 mA (max) (3.3V) , 80 mA (max) (2.5V) , 70 mA (max) (1.8V)		
Output Load	50 $\Omega$ to VDD		
Output voltage level (VOH)	VDD - 0.085V (min) , VDD = (max)		
Output voltage level (VOL)	VDD - 0.6V (min) , VDD - 0.32V (max)		
Differential Output voltage	200 mV (min) , 600 mV (max)		
Start-up Time	8 mS (max)		
Duty cycle	45% ~ 55%		
Enable input voltage (VIH)	0.7 x VDD (min)		
Disable input voltage (VIH)	0.3 x VDD (max)		
RISE / FALL TIME (20% / 80%)	0.35 nS (max)		
Phase Jitter RMS (12KHz~20KHz)	150 fS (min) , 300 fS (max)		
Aging at Ta = +25°C	$\pm 3$ ppm (max) @ first year		

## ● DIMENSIONS (mm)



## ● CML Test Circuit



## ● OUTPUT WAVEFORM

